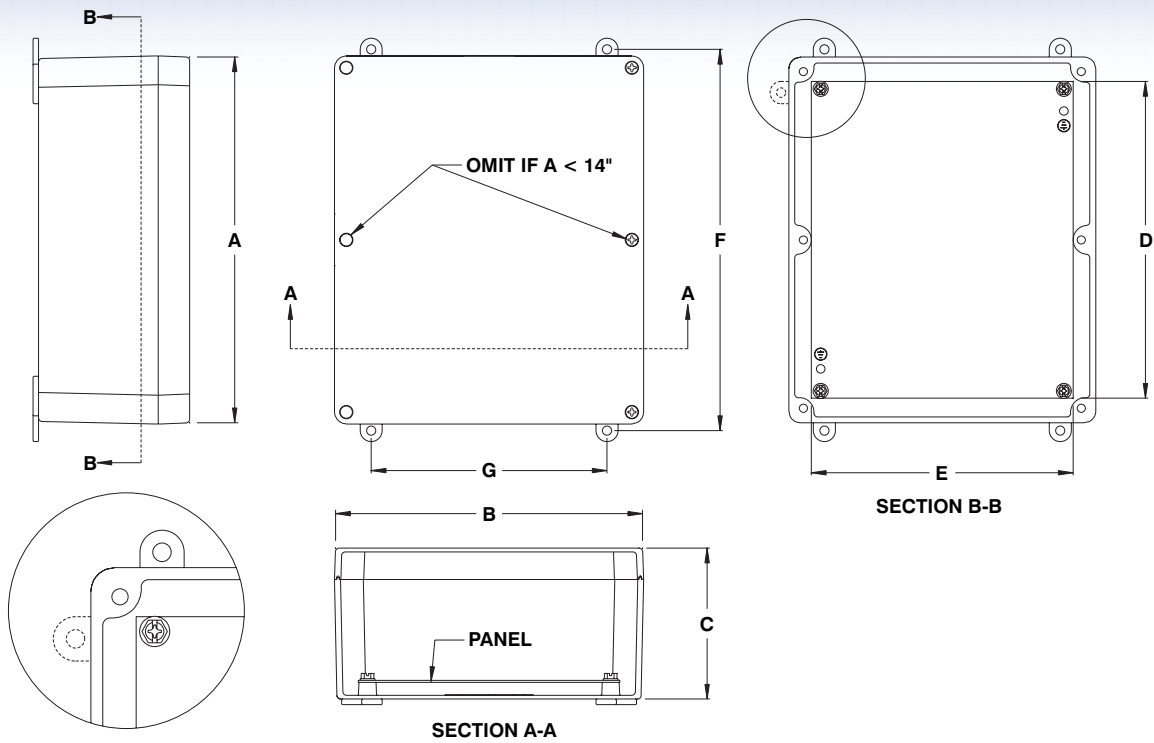


Hinged corrosion resistant fiberglass enclosures



CATALOG NUMBER	DIMENSIONS							SHIP WGHT LBS.
	A	B	C	D	E	F	G	
5412 ESFRH040403	4.5	4.5	3.125	--	--	4.937	2	1
5412 ESFRH040604	4.5	6.5	4.125	2.88	4.88	4.937	4	2
5412 ESFRH060404	6.5	4.5	4.125	4.88	2.88	6.937	2	2
5412 ESFRH060604	6.5	6.5	4.125	4.88	4.88	6.937	4	2
5412 ESFRH060804	6.5	8.5	4.125	4.88	6.88	6.937	6	2
5412 ESFRH080604	8.5	6.5	4.125	6.88	4.88	8.937	4	2
5412 ESFRH080804	8.5	8.5	4.125	6.88	6.88	8.937	6	3
5412 ESFRH081004	8.5	10.5	4.125	6.88	8.88	8.937	8	4
5412 ESFRH100804	10.5	8.5	4.125	8.88	6.88	10.937	6	4
5412 ESFRH101205	10.5	12.5	5.125	8.88	10.88	10.937	10	7
5412 ESFRH121005	12.5	10.5	5.125	10.88	8.88	12.937	8	7
5412 ESFRH081006	8.5	10.5	6.125	6.88	8.88	8.937	8	6
5412 ESFRH100806	10.5	8.5	6.125	8.88	6.88	10.937	6	6
5412 ESFRH121206	12.5	12.5	6.125	10.88	10.88	12.937	10	10
5412 ESFRH121406	12.5	14.5	6.125	10.88	12.88	12.937	12	12
5412 ESFRH141206	14.5	12.5	6.125	12.88	10.88	14.937	10	12

Data subject to change without notice.

