

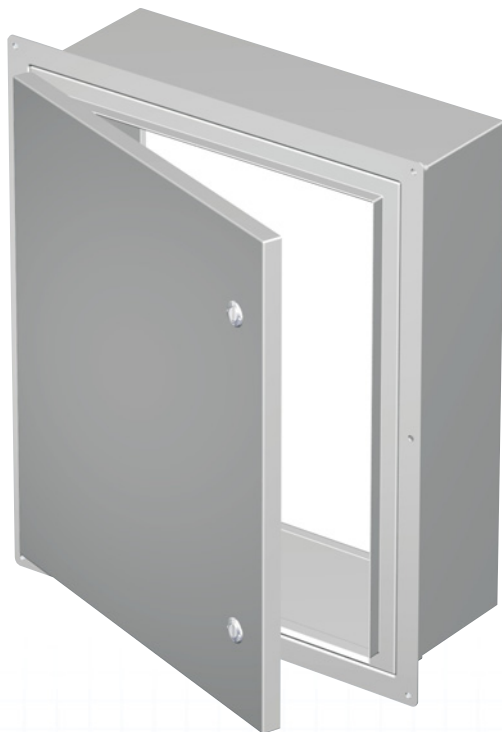
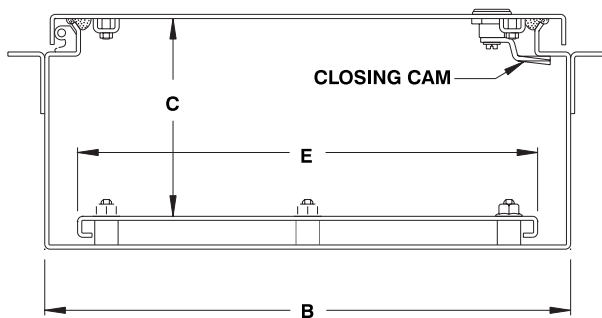
Oil & dust tight flush mount enclosures

The 5412 ESFM water, oil & dust tight enclosures are used indoors or outdoors in areas where the enclosures may be subject to hosing or to water coming from any direction or for protection against dust, dirt or oil splashing. The 5412 ESFM are made from quality 14 GA or 16 GA steel, with corner seams continuously welded. The opening has a curled lip around all sides to prevent dripping water from entering the

enclosure when the door is open, it also increases rigidity. A high quality robotically poured-in-place seamless gasket ensures a complete and durable water tight seal. The pins of the concealed hinges can be pulled out to remove the door. A ¼ turn locking mechanism (or 3 point latch system on greater enclosures) ensures positive closing. External mounting holes are pierced on a 12 GA lip all around

the box. Each enclosure comes complete with a 12 GA inner panel which is double bent* for maximum rigidity and which mounts on M8 welded studs. Enclosures and panels are finished with heat fused polyester powder, electrostatically applied on a pretreated base. Box is ANSI/ASA 61 gray, panel is white (other colors available).

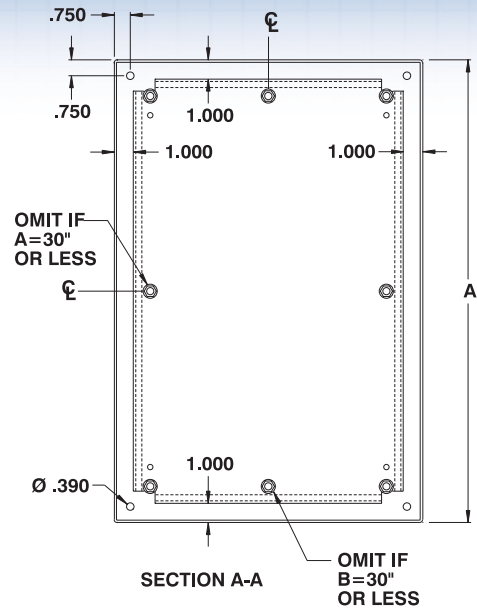
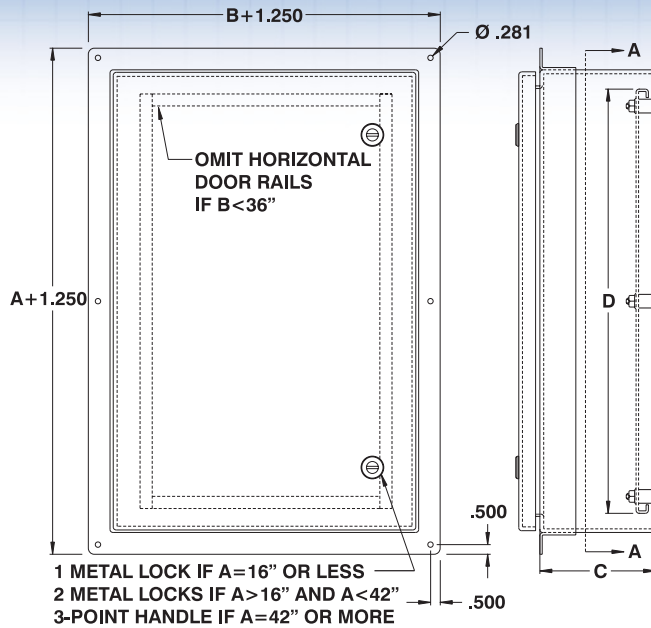
CSA Certified / UL Listed
NEMA/EEMAC 4-12 / IP66



CATALOG NUMBER	DIMENSIONS					SHIP WGT LBS.
	A	B	C	D	E	
5412 ESFM121206	12	12	6	10	10	19
5412 ESFM122406	12	24	6	10	22	35
5412 ESFM161206	16	12	6	14	10	24
5412 ESFM161606	16	16	6	14	14	31
5412 ESFM162006	16	20	6	14	18	37
5412 ESFM201206	20	12	6	18	10	29
5412 ESFM201606	20	16	6	18	14	37
5412 ESFM202006	20	20	6	18	18	45
5412 ESFM202406	20	24	6	18	22	53
5412 ESFM241206	24	12	6	22	10	35
5412 ESFM241606	24	16	6	22	14	44
5412 ESFM242006	24	20	6	22	18	53
5412 ESFM242406	24	24	6	22	22	62
5412 ESFM301606	30	16	6	28	14	53
5412 ESFM302006	30	20	6	28	18	65
5412 ESFM302406	30	24	6	28	22	76
5412 ESFM362406	36	24	6	34	22	90
5412 ESFM363006	36	30	6	34	28	109
5412 ESFM122408	12	24	8	10	22	38
5412 ESFM161208	16	12	8	14	10	27
5412 ESFM161608	16	16	8	14	14	34
5412 ESFM162008	16	20	8	14	18	41
5412 ESFM201208	20	12	8	18	10	33
5412 ESFM201608	20	16	8	18	14	41
5412 ESFM202008	20	20	8	18	18	49
5412 ESFM202408	20	24	8	18	22	57
5412 ESFM241208	24	12	8	22	10	38
5412 ESFM241608	24	16	8	22	14	48
5412 ESFM242008	24	20	8	22	18	57
5412 ESFM242408	24	24	8	22	22	67
5412 ESFM243008	24	30	8	22	28	81
5412 ESFM301208	30	12	8	28	10	46
5412 ESFM301608	30	16	8	28	14	58
5412 ESFM302008	30	20	8	28	18	70
5412 ESFM302408	30	24	8	28	22	81
5412 ESFM303008	30	30	8	28	28	98
5412 ESFM303608	30	36	8	28	34	116
5412 ESFM362408	36	24	8	34	22	95
5412 ESFM363008	36	30	8	34	28	116
5412 ESFM363608	36	36	8	34	34	136
5412 ESFM422408	42	24	8	40	22	110
5412 ESFM423008	42	30	8	40	28	133

Data subject to change without notice.





CATALOG NUMBER	DIMENSIONS					SHIP WGHT LBS.
	A	B	C	D	E	
5412 ESFM423608	42	36	8	40	34	156
5412 ESFM482408	48	24	8	46	22	124
5412 ESFM483008	48	30	8	46	28	150
5412 ESFM483608	48	36	8	46	34	177
5412 ESFM603608	60	36	8	58	34	218
5412 ESFM161210	16	12	10	14	10	30
5412 ESFM201610	20	16	10	18	14	44
5412 ESFM202010	20	20	10	18	18	53
5412 ESFM241210	24	12	10	22	10	42
5412 ESFM242010	24	20	10	22	18	62
5412 ESFM242410	24	24	10	22	22	71
5412 ESFM302010	30	20	10	28	18	74
5412 ESFM302410	30	24	10	28	22	86
5412 ESFM362410	36	24	10	34	22	101
5412 ESFM363010	36	30	10	34	28	122
5412 ESFM423010	42	30	10	40	28	140
5412 ESFM423610	42	36	10	40	34	164
5412 ESFM483010	48	30	10	46	28	158
5412 ESFM483610	48	36	10	46	34	185
5412 ESFM603610	60	36	10	58	34	227
5412 ESFM201612	20	16	12	18	14	48
5412 ESFM202012	20	20	12	18	18	57
5412 ESFM202412	20	24	12	18	22	66
5412 ESFM242012	24	20	12	22	18	66
5412 ESFM242412	24	24	12	22	22	76
5412 ESFM302412	30	24	12	28	22	92
5412 ESFM303012	30	30	12	28	28	110
5412 ESFM362412	36	24	12	34	22	107

CATALOG NUMBER	DIMENSIONS					SHIP WGHT LBS.
	A	B	C	D	E	
5412 ESFM363012	36	30	12	34	28	129
5412 ESFM363612	36	36	12	34	34	150
5412 ESFM422412	42	24	12	40	22	118
5412 ESFM423012	42	30	12	40	28	147
5412 ESFM423612	42	36	12	40	34	172
5412 ESFM482412	48	24	12	46	22	138
5412 ESFM483612	48	36	12	46	34	193
5412 ESFM602412	60	24	12	58	22	169
5412 ESFM603612	60	36	12	58	34	236
5412 ESFM723012	72	30	12	70	28	240
5412 ESFM723612	72	36	12	70	34	279
5412 ESFM242016	24	20	16	22	18	74
5412 ESFM242416	24	24	16	22	22	86
5412 ESFM302416	30	24	16	28	22	102
5412 ESFM362416	36	24	16	34	22	119
5412 ESFM363016	36	30	16	34	28	142
5412 ESFM423616	42	36	16	40	34	187
5412 ESFM483616	48	36	16	46	34	210
5412 ESFM603616	60	36	16	58	14	255
5412 ESFM723016	72	30	16	70	28	260
5412 ESFM723616	72	36	16	70	34	301
5412 ESFM302420	30	24	20	28	22	113
5412 ESFM363020	36	30	20	34	28	155
5412 ESFM483620	48	36	20	46	34	226
5412 ESFM603620	60	36	20	58	34	274
5412 ESFM723020	72	30	20	70	28	280
5412 ESFM302424	30	24	24	28	22	123
5412 ESFM723024	72	30	24	70	28	300

* Only panels with sides 20" or more are double bent.

Data subject to change without notice.



p.479



p.466



p.463



p.484



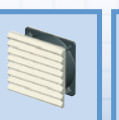
p.467



p.524



p.536



p.494



p.462