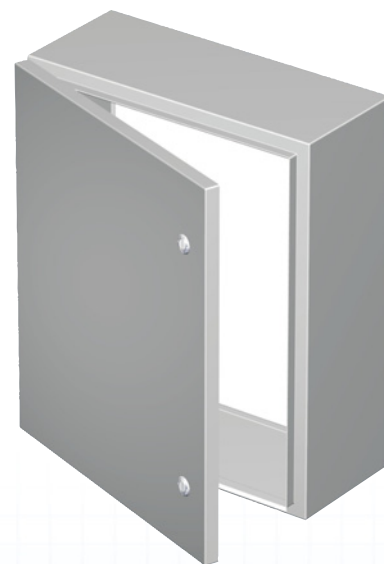
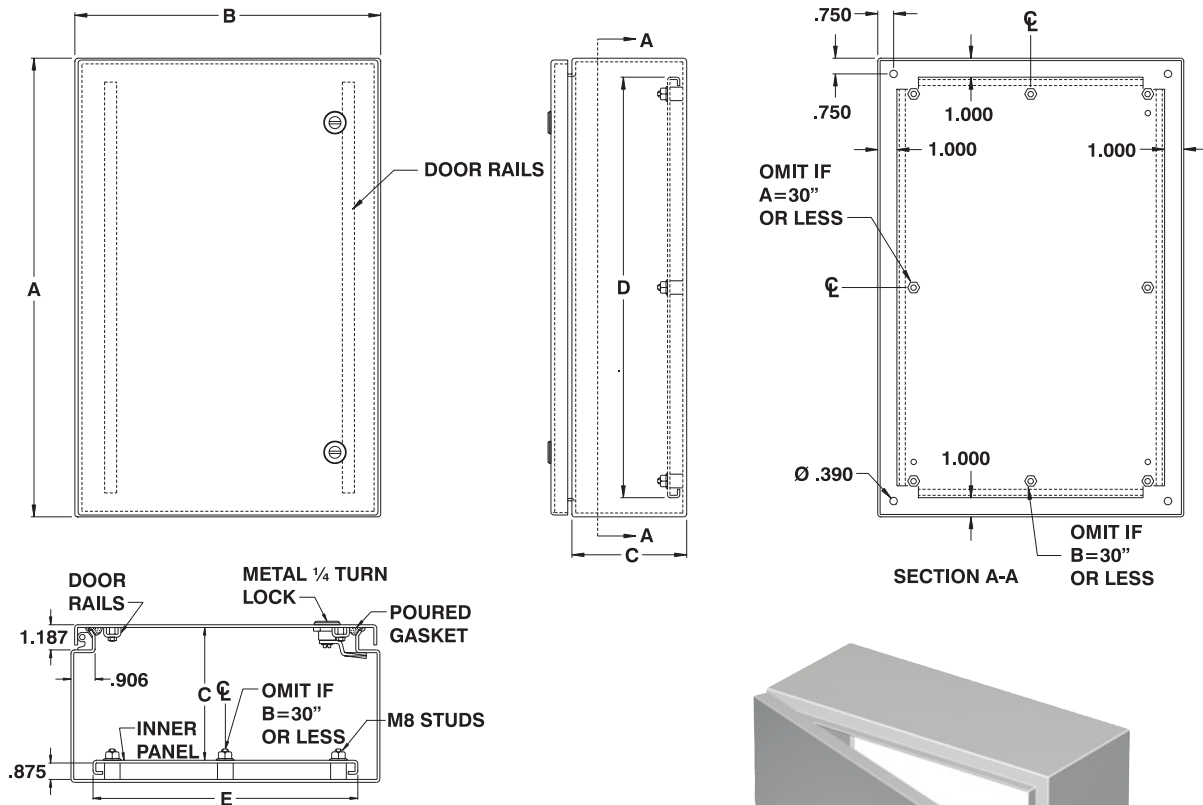


EMI/RFI shielded NEMA 4/12 enclosures

The 5412 ESE water, oil & dust tight enclosures are used indoors or outdoors in areas where the enclosures may be subject to hosing or to water coming from any direction or for protection against dust, dirt or oil splashing. A special conductive gasket protects the contents against a certain degree of electromagnetic interference. The 5412 ESE are made from quality 14 GA or 16

GA steel, with corner seems continuously welded. The opening has a curled lip around all sides to prevent dripping water from entering the enclosure when the door is open, it also increases rigidity. The pins of the concealed hinges can be pulled out to remove the door. A 1/4 turn locking mechanism ensures positive closing. Internal mounting holes are provided.

Each enclosure comes **complete with a 12 GA inner panel** which mounts on M8 welded studs. Enclosures and panels are finished with heat fused polyester powder, electrostatically applied on a pretreated base. Box is ANSI/ASA 61 gray, panel is white (other colors available). **NEMA/EEMAC 4-12 / IP66**



CATALOG NUMBER	DIMENSIONS					SHIP WGT LBS.
	A	B	C	D	E	
5412 ESE121206	12	12	6	10	10	19
5412 ESE161206	16	12	6	14	10	24
5412 ESE161606	16	16	6	14	14	31
5412 ESE162006	16	20	6	14	18	37
5412 ESE201606	20	16	6	18	14	37
5412 ESE242006	24	20	6	22	18	53
5412 ESE242408	24	24	8	22	22	67
5412 ESE302408	30	24	8	28	22	81
5412 ESE363008	36	30	8	34	28	116
5412 ESE242412	24	24	12	22	22	76
5412 ESE362412	36	24	12	34	22	107

Data subject to change without notice.



p.442 p.442 p.442 p.442 p.449 p.452 p.462
<http://www.exmweb.com> 1-800-363-2423 Fax : 450-979-4626

