

Water, oil & dust tight consolelet enclosures

The **5412 ESCS** water, oil & dust tight enclosures are used indoors or outdoors in areas where the enclosures may be subject to hosing or to water coming from any direction or for protection against dust, dirt or oil splashing.

The 5412 ESCS have a sloped control surface above the door.

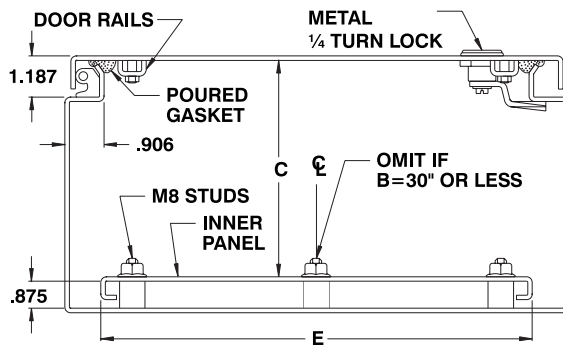
They are made from quality 14 GA or 16 GA steel, with corner seems continuously welded. The opening has a curled lip around all sides to

prevent dripping water from entering the enclosure when the door is open, it also increases rigidity. A high quality robotically poured-in-place seamless gasket ensures a complete and durable water tight seal. The pins of the concealed hinges can be pulled out to remove the door.

A ¼ turn locking mechanism (or 3 point latch system on larger enclosures) ensures positive closing. Internal mounting holes are provided.

Each enclosure comes **complete with a 12 GA inner panel** which is double bent* for maximum rigidity and which mounts on M8 welded studs. Enclosures and panels are finished with heat fused polyester powder, electrostatically applied on a phosphatized base. Box is ANSI/ASA 61 gray, panel is white (other colors available).

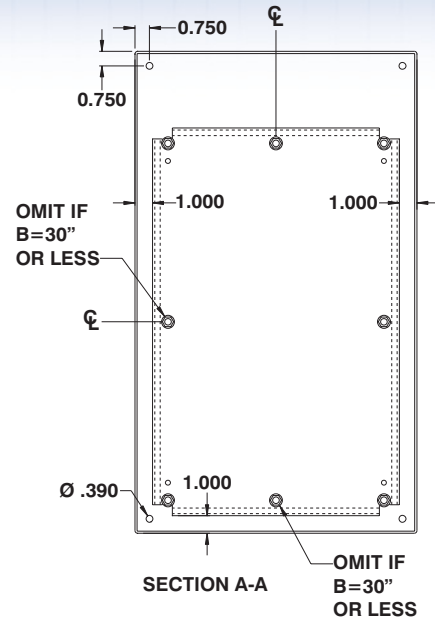
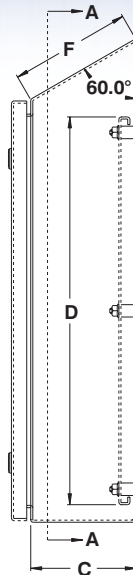
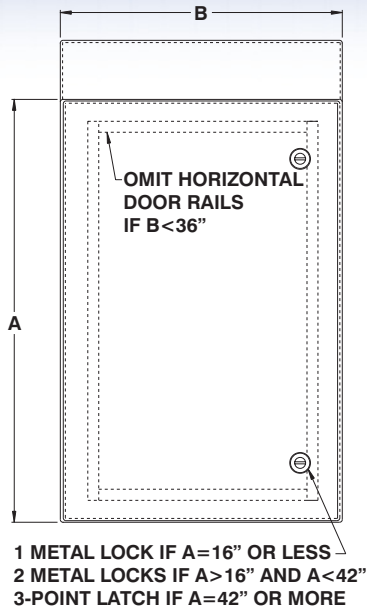
CSA Certified / UL Listed
NEMA/EEMAC 4-12 / IP66



CATALOG NUMBER	DIMENSIONS						SHIP WGT LBS.
	A	B	C	D	E	F	
5412 ESCS241206	24	12	6	22	10	6.875	35
5412 ESCS241606	24	16	6	22	14	6.875	44
5412 ESCS242006	24	20	6	22	18	6.875	53
5412 ESCS242406	24	24	6	22	22	6.875	62
5412 ESCS301606	30	16	6	28	14	6.875	53
5412 ESCS302006	30	20	6	28	18	6.875	65
5412 ESCS302406	30	24	6	28	22	6.875	76
5412 ESCS362406	36	24	6	34	22	6.875	90
5412 ESCS363006	36	30	6	34	28	6.875	109
5412 ESCS241208	24	12	8	22	10	9.187	38
5412 ESCS241608	24	16	8	22	14	9.187	48
5412 ESCS242008	24	20	8	22	18	9.187	57
5412 ESCS242408	24	24	8	22	22	9.187	67
5412 ESCS243008	24	30	8	22	28	9.187	81
5412 ESCS301208	30	12	8	28	10	9.187	46
5412 ESCS301608	30	16	8	28	14	9.187	58
5412 ESCS302008	30	20	8	28	18	9.187	70
5412 ESCS302408	30	24	8	28	22	9.187	81
5412 ESCS303008	30	30	8	28	28	9.187	98
5412 ESCS303608	30	36	8	28	34	9.187	116
5412 ESCS362408	36	24	8	34	22	9.187	95
5412 ESCS363008	36	30	8	34	28	9.187	116
5412 ESCS363608	36	36	8	34	34	9.187	136
5412 ESCS422408	42	24	8	40	22	9.187	110
5412 ESCS423008	42	30	8	40	28	9.187	133
5412 ESCS423608	42	36	8	40	34	9.187	156
5412 ESCS241210	24	12	10	22	10	11.500	42
5412 ESCS242010	24	20	10	22	18	11.500	62
5412 ESCS242410	24	24	10	22	22	11.500	71
5412 ESCS302010	30	20	10	28	18	11.500	74
5412 ESCS302410	30	24	10	28	22	11.500	86
5412 ESCS362410	36	24	10	34	22	11.500	101
5412 ESCS363010	36	30	10	34	28	11.500	122
5412 ESCS423010	42	30	10	40	28	11.500	140
5412 ESCS423610	42	36	10	40	34	11.500	164
5412 ESCS242012	24	20	12	22	18	13.812	66
5412 ESCS242412	24	24	12	22	22	13.812	76
5412 ESCS302412	30	24	12	28	22	13.812	92
5412 ESCS303012	30	30	12	28	28	13.812	110
5412 ESCS362412	36	24	12	34	22	13.812	107
5412 ESCS363012	36	30	12	34	28	13.812	129
5412 ESCS363612	36	36	12	34	34	13.812	150

Data subject to change without notice.





CATALOG NUMBER	DIMENSIONS						SHIP WGHT LBS.
	A	B	C	D	E	F	
5412 ESCS422412	42	24	12	40	22	13.812	118
5412 ESCS423012	42	30	12	40	28	13.812	147
5412 ESCS423612	42	36	12	40	34	13.812	172
5412 ESCS242016	24	20	16	22	18	18.437	74
5412 ESCS242416	24	24	16	22	22	18.437	86
5412 ESCS302416	30	24	16	28	22	18.437	102

CATALOG NUMBER	DIMENSIONS						SHIP WGHT LBS.
	A	B	C	D	E	F	
5412 ESCS362416	36	24	16	34	22	18.437	119
5412 ESCS363016	36	30	16	34	28	18.437	142
5412 ESCS423616	42	36	16	40	34	18.437	187
5412 ESCS302420	30	24	20	28	22	23.062	113
5412 ESCS363020	36	30	20	34	28	23.062	155
5412 ESCS302424	30	24	24	28	22	27.687	123

* Only panels with sides 20" or more are double bent.

Data subject to change without notice.



p.466

<http://www.exmweb.com>



p.463



p.484



p.467

1-800-363-2423



p.518



p.524

Fax : 450-979-4626



p.536



p.494



p.462

info@exmweb.com