

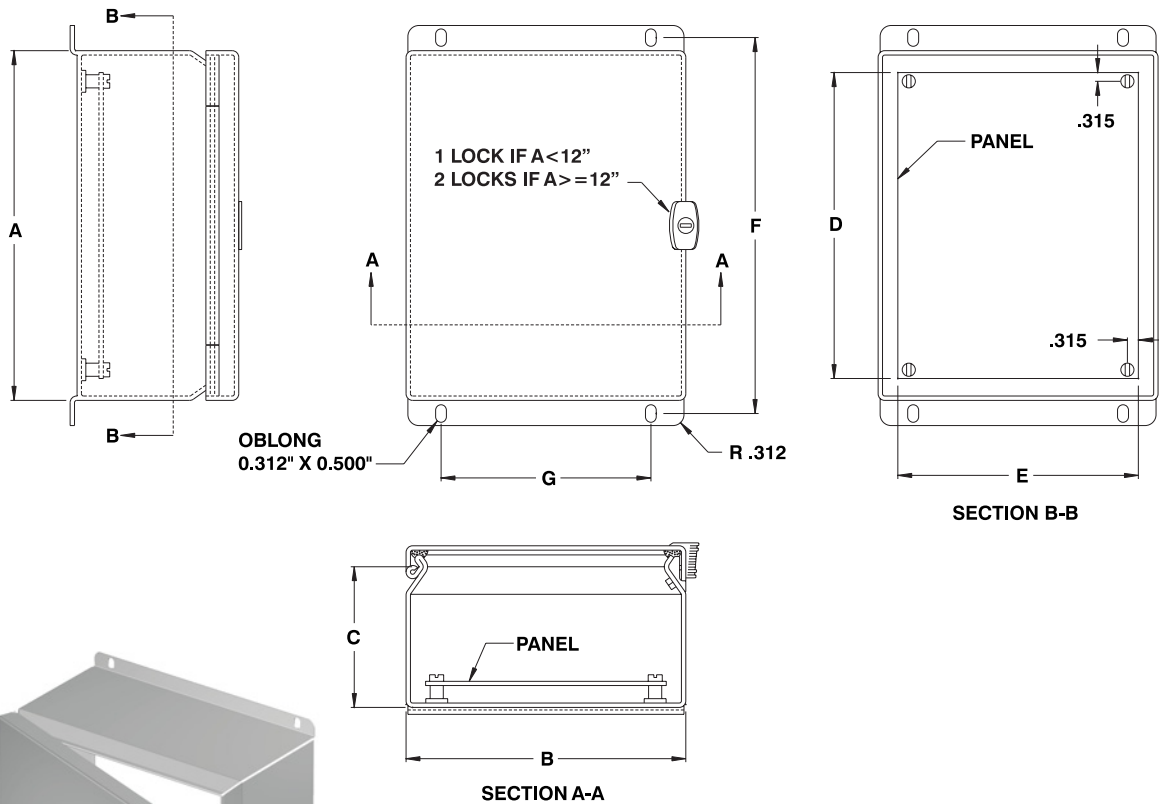
EMI/RFI shielded JIC NEMA 4/12 enclosures

The **5412 ESCHE** are used indoors or outdoors to protect the enclosed controls from dust, dirt, oil and water splashing. A special conductive gasket protects the contents against a certain degree of electromagnetic interference. The 5412 ESCHE are made from quality 16 GA steel, with corner seems continuously welded. The opening has a curled lip around all sides to prevent dripping water from entering the enclosure when the door is open, it also increases rigidity.

This enclosure features incorporated hinging, meaning that the hinge is a part of the box and part of the cover. This minimizes the amount of welding and allows the door to be easily removed by pulling out the full length mushroom head hinge pin. Very few JIC type enclosures offer this considerable advantage.

EXM's exclusive flange-mounted 1/4 turn locking system ensures positive closing while leaving a full workable mounting surface on the door.

Each enclosure comes **complete with a 14 GA inner panel** which mounts on weld nuts. The four external wall-mounting holes are oblong to facilitate installation and the mounting feet are incorporated into the body of the enclosure. Enclosures and panels are finished with heat fused polyester powder, electrostatically applied on a pretreated base. Box is ANSI/ASA 61 gray, panel is white (other colors available). **NEMA/EEMAC 4-12 / IP66**



Data subject to change without notice.

CATALOG NUMBER	DIMENSIONS							SHIP WTGT LBS.
	A	B	C	D	E	F	G	
5412 ESCHE060403	6	4	3	4.88	2.88	6.75	2	3
5412 ESCHE060604	6	6	4	4.88	4.88	6.75	4	5
5412 ESCHE080604	8	6	4	6.88	4.88	8.75	4	6
5412 ESCHE100804	10	8	4	8.88	6.88	10.75	6	10
5412 ESCHE121005	12	10	5	10.88	8.88	12.75	8	16
5412 ESCHE141206	14	12	6	12.88	10.88	14.75	10	19
5412 ESCHE161406	16	14	6	14.88	12.88	16.75	12	23

