

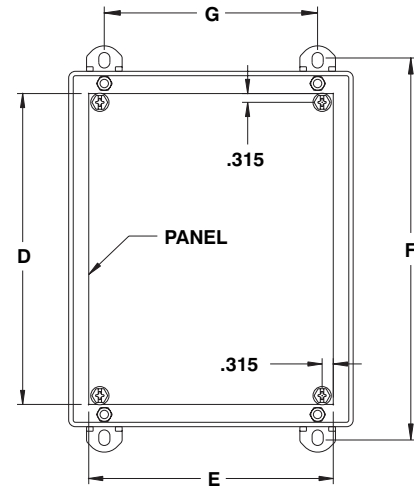
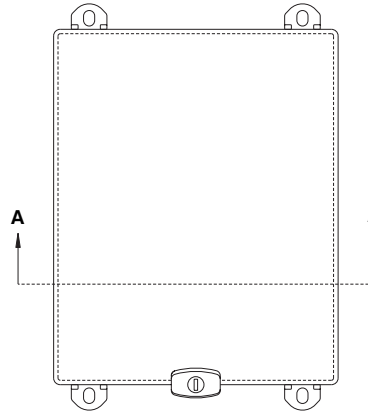
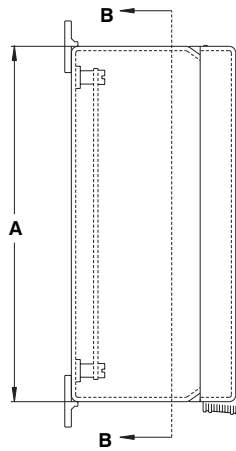
Oil & dust tight lift off cover aluminium enclosures

The 5412 EALLC lift off cover, water oil and dust tight enclosures are used indoors or outdoors, in areas where the enclosures may be subjected to hosing or to water coming from any direction. The box and cover are made from 0.080" (Type 5052 H - 32) aluminium with all seams continuously welded. A high quality robotically poured-in-place seamless gasket ensures a complete

and durable water tight seal. The opening has a curled lip around all sides to prevent dripping water from entering when the door is open, it also increases rigidity. A flange-mounted ¼ turn lock ensures positive closing while leaving a full workable mounting surface on the door. The enclosure can be internally mounted or externally mounted using the included die cast wall mounting

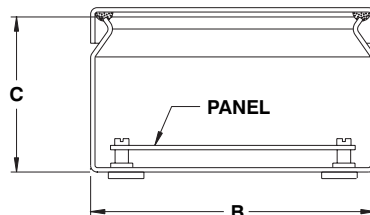
feet. Each enclosure comes complete with a 14 GA steel flat inner panel which mounts on welded nuts. Enclosures and panels are finished with heat fused polyester, electrostatically applied on a pretreated base. Box is ANSI/ASA 61 gray, panel is white.

**CSA Certified / UL Listed
NEMA/EEMAC 4X / IP66**



SECTION B-B

NOTE : 1 LOCK IF B=10" OR LESS
2 LOCKS IF B=10" OR MORE



SECTION A-A



CATALOG NUMBER	DIMENSIONS							SHIP WGT LBS.
	A	B	C	D	E	F	G	
5412 EALLC040403	4	4	3	No.Pan.	No.Pan.	4.75	2	1
5412 EALLC060403	6	4	3	4.88	2.88	6.75	2	2
5412 EALLC060404	6	4	4	4.88	2.88	6.75	2	2
5412 EALLC060604	6	6	4	4.88	4.88	6.75	4	3
5412 EALLC080604	8	6	4	6.88	4.88	8.75	4	3
5412 EALLC100804	10	8	4	8.88	6.88	10.75	6	5
5412 EALLC121005	12	10	5	10.88	8.88	12.75	8	7
5412 EALLC141206	14	12	6	12.88	10.88	14.75	10	10
5412 EALLC161406	16	14	6	14.88	12.88	16.75	12	12
5412 EALLC141208	14	12	8	12.88	10.88	14.75	10	10
5412 EALLC161410	16	14	10	14.88	12.88	16.75	12	13

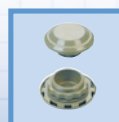
Data subject to change without notice.



p.439



p.480



p.518



p.524



p.536



p.509

<http://www.exmweb.com>

1-800-363-2423

Fax : 450-979-4626



info@exmweb.com