

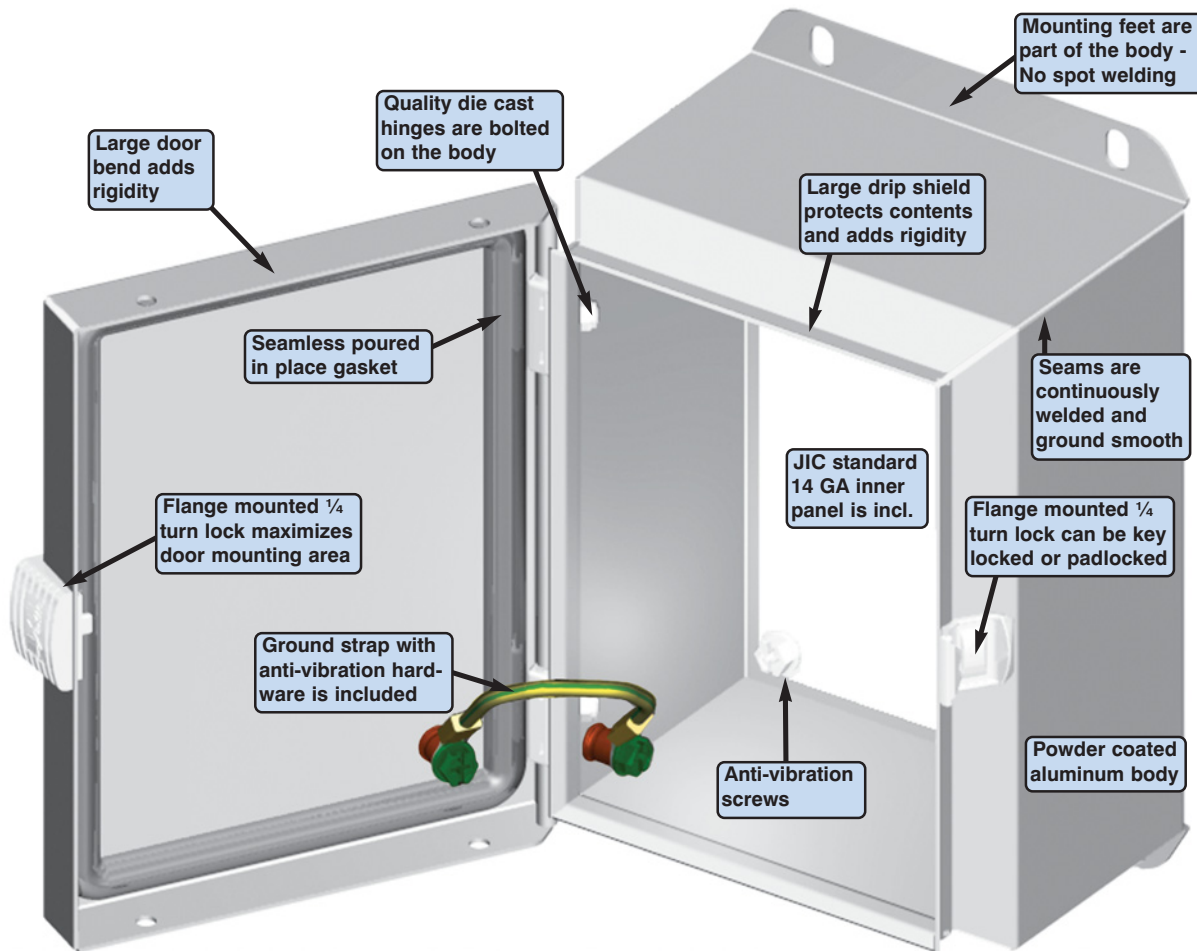
Aluminum JIC enclosures

The 5412 EALCH are used indoors or outdoors to protect the enclosed controls from dust, dirt, oil and water splashing. The 5412 EALCH are made from quality 0.063" (Type 5052 H - 32) aluminum, with corner seams continuously welded. The opening has a curled lip around all sides to prevent dripping water from entering the enclosure when the door is open, it also increases rigidity. A high quality robotically poured-in-place seamless gasket ensures a complete and durable water tight seal. This enclosure features

incorporated hinging, meaning that the hinge is a part of the box and part of the cover. This minimizes the amount of welding and allows the door to be easily removed by pulling out the full length mushroom head hinge pin. Very few JIC type enclosures offer this considerable advantage. **EXM's exclusive flange-mounted 1/4 turn locking system** ensures positive closing while leaving a full workable mounting surface on the door. Each enclosure comes **complete with a 14 GA inner panel** which mounts on

weld nuts. The four external wall-mounting holes are oblong to facilitate installation and the mounting feet are incorporated into the body of the enclosure. Enclosures and panels are finished with heat fused polyester powder, electrostatically applied on a pretreated base. Box is ANSI/ASA 61 gray, panel is white (other colors available).

**CSA Certified / UL Listed
NEMA/EEMAC 4X / IP66**



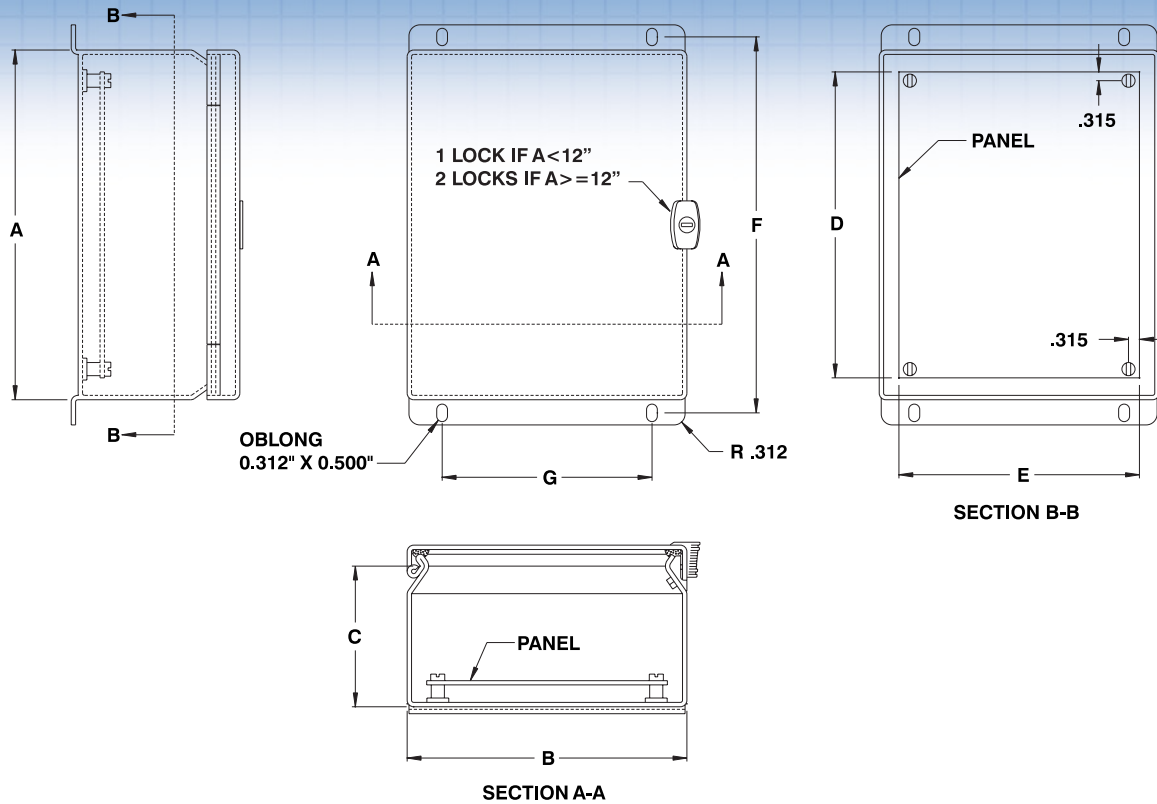
The 5412 EALCH -
Another EXM innovation

Data subject to
change without
notice.



NEMA 4-4X ENCLOSURES

5412 EALCH



CATALOG NUMBER	DIMENSIONS							SHIP WGHT LBS.
	A	B	C	D	E	F	G	
5412 EALCH040403	4	4	3	No.Pan.	No.Pan.	4.75	2	1
5412 EALCH060403	6	4	3	4.88	2.88	6.75	2	2
5412 EALCH060404	6	4	4	4.88	2.88	6.75	2	2
5412 EALCH060604	6	6	4	4.88	4.88	6.75	4	3
5412 EALCH080604	8	6	4	6.88	4.88	8.75	4	3
5412 EALCH080804	8	8	4	6.88	6.88	8.75	6	4
5412 EALCH081004	8	10	4	6.88	8.88	8.75	8	5
5412 EALCH100804	10	8	4	8.88	6.88	10.75	6	5
5412 EALCH120604	12	6	4	10.88	4.88	12.75	4	4
5412 EALCH060605	6	6	5	4.88	4.88	6.75	4	3
5412 EALCH080605	8	6	5	6.88	4.88	8.75	4	4
5412 EALCH101005	10	10	5	8.88	8.88	10.75	8	7
5412 EALCH101205	10	12	5	8.88	10.88	10.75	10	8
5412 EALCH121005	12	10	5	10.88	8.88	12.75	8	8
5412 EALCH121205	12	12	5	10.88	10.88	12.75	10	9
5412 EALCH080606	8	6	6	6.88	4.88	8.75	4	4
5412 EALCH100806	10	8	6	8.88	6.88	10.75	6	6
5412 EALCH101006	10	10	6	8.88	8.88	10.75	8	7
5412 EALCH121206	12	12	6	10.88	10.88	12.75	10	9
5412 EALCH121406	12	14	6	10.88	12.88	12.75	12	10
5412 EALCH140806	14	8	6	12.88	6.88	14.75	6	5
5412 EALCH141206	14	12	6	12.88	10.88	14.75	10	10
5412 EALCH141606	14	16	6	12.88	14.88	14.75	14	12
5412 EALCH161006	16	10	6	14.88	8.88	16.75	8	10
5412 EALCH161206	16	12	6	14.88	10.88	16.75	10	11
5412 EALCH161406	16	14	6	14.88	12.88	16.75	12	12
5412 EALCH121008	12	10	8	10.88	8.88	12.75	8	8
5412 EALCH141208	14	12	8	12.88	10.88	14.75	10	10
5412 EALCH161208	16	12	8	14.88	10.88	16.75	10	13
5412 EALCH161408	16	14	8	14.88	12.88	16.75	12	13
5412 EALCH161410	16	14	10	14.88	12.88	16.75	12	14



Data subject to change without notice.

