

Water, oil & dust tight double door enclosures

The 5412 DDS water, oil & dust tight double door enclosures are used indoors or outdoors in areas where the enclosures may be subject to hosing or to water coming from any direction or for protection against dust, dirt or oil splashing.

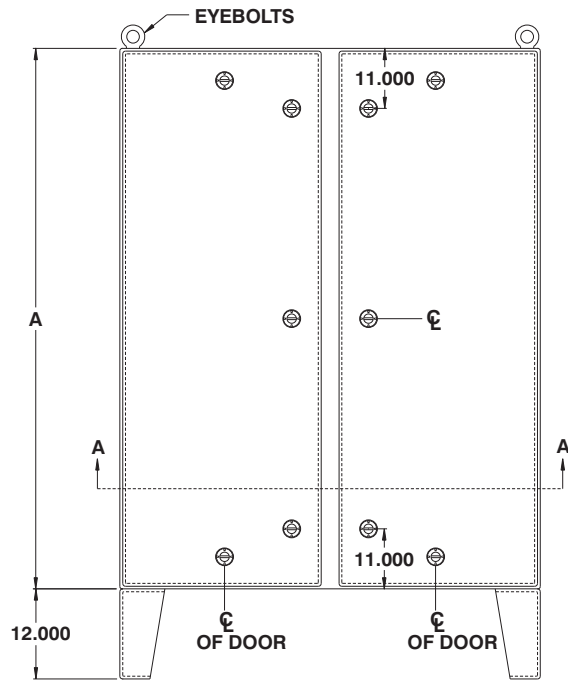
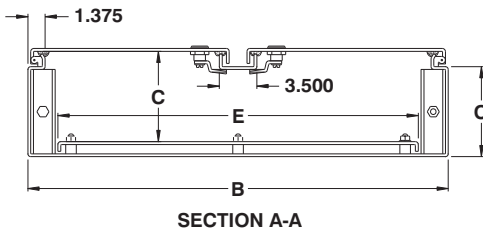
The 5412 DDS are made from quality code gauge steel, with corner seams continuously welded. The center post is removable to facilitate the installation of the inner panel. The opening has a curled lip around all sides to prevent

dripping water from entering the enclosure when the door is open, it also increases rigidity. A high quality robotically poured-in-place seamless gasket ensures a complete and durable water tight seal.

The pins of the concealed heavy duty die cast hinges can be pulled out to remove the door. A ¼ turn locking mechanism ensures positive closing. Two 12" floor stands are welded to the cabinet. Body stiffeners are provided on larger models.

Each enclosure comes complete with a painted white inner panel which is double bent for maximum rigidity. A panel guide and support is provided to facilitate panel installation. A print pocket is provided. Enclosures and panels are finished with heat fused polyester powder, electrostatically applied on a pretreated base. Box is ANSI/ASA 61 gray, panel is white (other colors available).

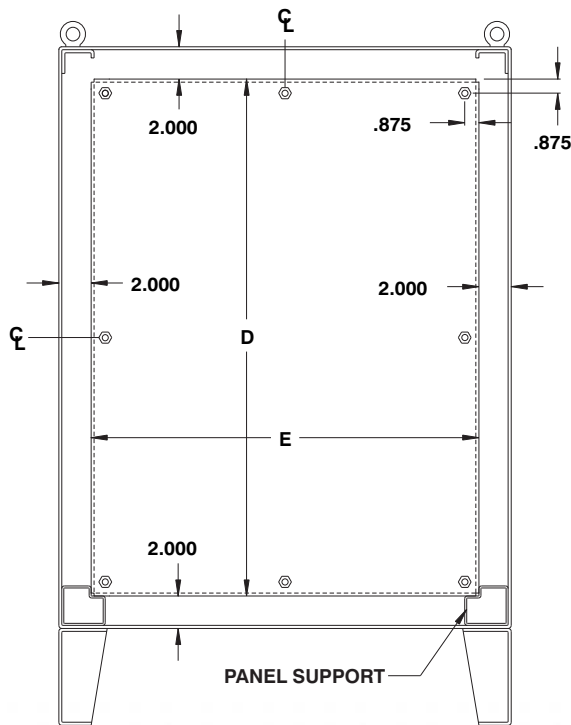
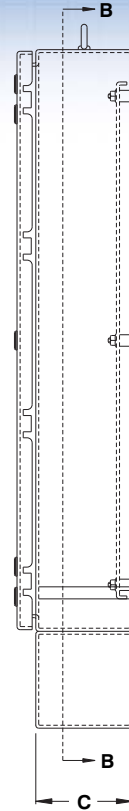
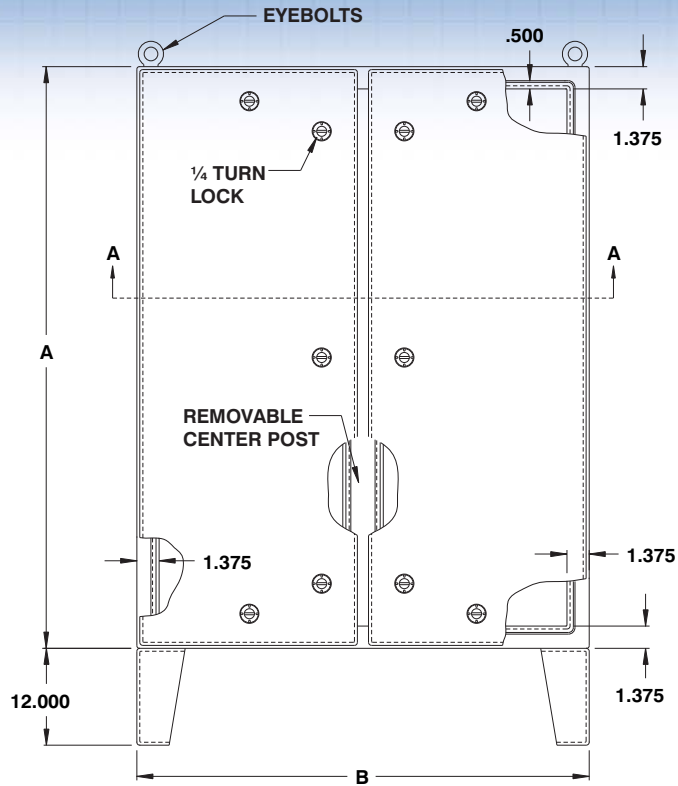
**CSA Certified / UL Listed
NEMA/EEMAC 4-12 / IP66**



CATALOG NUMBER	DIMENSIONS					SHIP WGHT LBS.
	A	B	C	D	E	
5412 DDS604812	60	48	12	56	44	463
5412 DDS606012	60	60	12	56	56	530
5412 DDS726012	72	60	12	68	56	633
5412 DDS727212	72	72	12	68	68	751
5412 DDS727224	72	72	24	68	68	881

Data subject to change without notice.





SECTION B-B

Data subject to change without notice.



p.479

<http://www.exmweb.com>



p.466



p.463



p.484

1-800-363-2423



p.467



p.524

Fax : 450-979-4626



p.536



p.494



p.462

info@exmweb.com