

Safety disconnect enclosures

The 5100 ESY right flange-mounted safety disconnect enclosures are used where the control installation does not demand a high degree of protection (such as watertight or dust tight), but where a quality enclosure is warranted. The 5100 ESY are made from quality 14 GA or 16 GA steel, with corner seams continuously welded. The opening has a curled lip around three sides to prevent dripping water from entering the enclosure when the door is open, it also increases

rigidity. The pins of the concealed hinges can be pulled out to remove the door. The 5100 ESY features a convenient factory-installed door handle which interlocks with the disconnect switch and facilitates the installation of the enclosure, streamlines the ordering process and increases the ease of use of the enclosure. Enclosures higher than 42" are equipped with a 3 point locking mechanism while smaller enclosures come with a 2 point locking mechanism. Door stiffeners are

also provided on larger models. Internal mounting holes are provided. Each enclosure comes complete with a 12 GA inner panel which is double bent for maximum rigidity and which mounts on M8 welded studs. Enclosures and panels are finished with heat fused polyester powder, electrostatically applied on a pretreaded base. Box is ANSI/ASA 61 gray, panel is white (other colors available).

**CSA Certified / UL Listed
NEMA/EEMAC 1 / IP30**

If the 5100 ESY is to be used with a flange mounted disconnect switch or a circuit breaker, the following items must be ordered:

Ordering an Allen-Bradley 1494V Disconnect switch

- an operating mechanism with the disconnect switch 1494V
- an operating handle 1494V-H1
- a connecting rod 1494V-RA1 if the enclosure is 8" deep or 1494V-RA2 if the enclosure is 12" deep
- if required, a trailer fuse block kit 1494V, a fuse clip and line and load connectors.

Circuit breaker

- a Westinghouse or General Electric circuit breaker.
- an operating mechanism 1494V
- an operating handle 1494V-H11
- a connecting rod 1494V-RA1 if the enclosure is 8" deep or 1494V-RA2 if the enclosure is 12" deep



Ordering a Cutler Hammer Disconnect switch catalog C361

- an operating mechanism with the disconnect switch
- an operating handle (C361-H2 or H4)

Circuit breaker operators catalog C371

- a Cutler hammer or Westinghouse circuit breaker
- an operating mechanism
- an operating handle

Ordering a Square D Class 9422 Disconnect switch

- an operating mechanism with the disconnect switch class 9422
- an operating mechanism handle class 9422 Type A-1

Circuit breaker

- a Square D circuit breaker
- an operating mechanism class 9422
- an operating mechanism handle class 9422 Type A-1

Ordering a General Electric Disconnect Switches

- a disconnect switch QMR or QMW
- a fuse clip kit if required
- a TDAI flange handle
- an operating mechanism, variable depth

Circuit breakers

- a circuit breaker
- a TDAI flange handle
- an operating handle 1494V-H11
- an operating mechanism, variable depth

Ordering an Asea Brown Boveri Disconnect switches

- a switch flange operated fuse if required
- a DSFHS-12 shaft
- a DSFHN-HS12 handle

Circuit breaker

- a circuit breaker
- an operating mechanism
- a FHS-12 shaft
- a FHN-HS12 handle

Ordering an I-T-E Max-Flex™ Disconnect switch

- a basic right hand switch
- a fuse kit if required
- a handle FHOHS flange mounted
- an operator FHOSO6R
- a cable FHOECO36

Circuit breaker

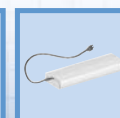
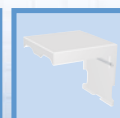
- a circuit breaker
- a set of pressure wire connectors
- a handle FHOH flange mounted
- an operating mechanism
- a standard cable 36"

Ordering a Westinghouse

- a disconnect switch or circuit breaker type DS
- a yoke assembly and backplate
- a rod and brace assembly
- a pivot mechanism
- an operating handle

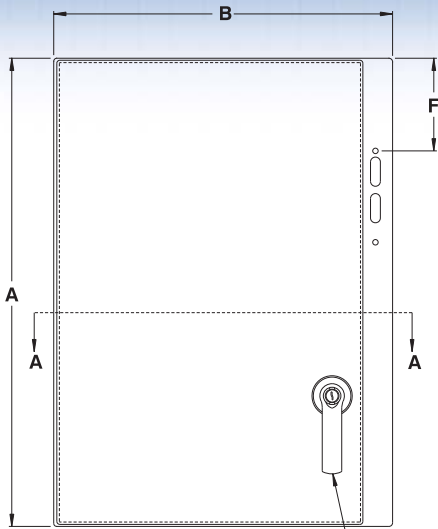
Disconnect switches and operating mechanisms are not furnished with the enclosures.

Data subject to change without notice.

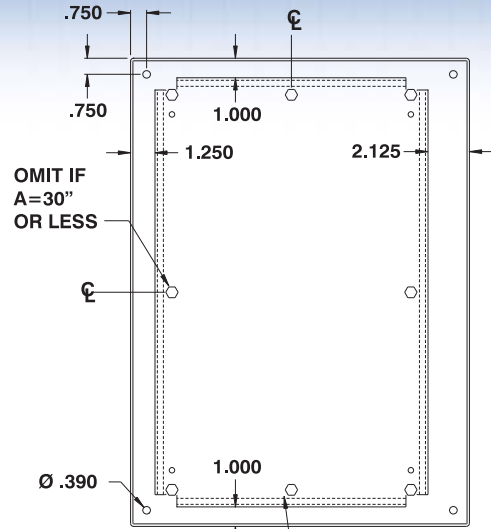
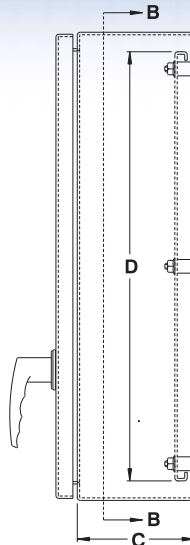


NEMA 1 SAFETY DISCONNECT

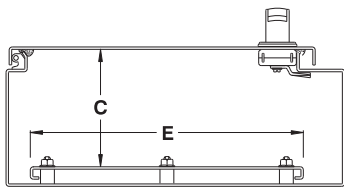
5100 ESY



2 POINT LOCK IF A=36" OR LESS
3 POINT LOCK IF A>36"



SECTION B-B
OMIT IF B=30" OR LESS



SECTION A-A

† Only panels with sides 20" or more are double bent.

* This enclosure will accept only the Allen-Bradley DS 200 and the DS 400 disconnect class.

CATALOG NUMBER	DIMENSIONS						SHIP WGHT LBS.
	A	B	C	D	E	F	
5100 ESY202108	20	21.375	8	18	18	8.625	51
5100 ESY242108	24	21.375	8	22	18	8.625	61
5100 ESY242508	24	25.375	8	22	22	8.625	67
5100 ESY302108	30	21.375	8	28	18	8.625	74
5100 ESY302508	30	25.375	8	28	22	8.625	85
5100 ESY362508	36	25.375	8	34	22	8.625	100
5100 ESY363108	36	31.375	8	34	28	8.625	121
5100 ESY423108	42	31.375	8	40	28	8.625	137
5100 ESY423708	42	37.375	8	40	34	8.625	154
5100 ESY483708	48	37.375	8	46	34	8.625	172
5100 ESY603708	60	37.375	8	58	34	8.625	245
5100 ESY202110	20	21.375	10	18	18	8.625	55
5100 ESY242110	24	21.375	10	22	18	8.625	68
5100 ESY242510	24	25.375	10	22	22	8.625	75
5100 ESY302110	30	21.375	10	28	18	8.625	78
5100 ESY302510	30	25.375	10	28	22	8.625	90
5100 ESY362510	36	25.375	10	34	22	8.625	110
5100 ESY363110	36	31.375	10	34	28	8.625	126
5100 ESY423110	42	31.375	10	40	28	8.625	143
5100 ESY423710	42	37.375	10	40	34	8.625	193
5100 ESY483710	48	37.375	10	46	34	8.625	211
5100 ESY603710	60	37.375	10	58	34	8.625	250
5100 ESY302512	30	25.375	12	28	22	11.625	100
5100 ESY363112	36	31.375	12	34	28	11.625	130
5100 ESY423112	42	31.375	12	40	28	11.625	150
5100 ESY423712	42	37.375	12	40	34	11.625	200
5100 ESY483712	48	37.375	12	46	34	11.625	220
5100 ESY603712	60	37.375	12	58	34	11.625	257
5100 ESY363116	36	31.375	16	34	28	11.625	150
5100 ESY483716	48	37.375	16	46	34	11.625	232
5100 ESY603716	60	37.375	16	58	34	11.625	265
* 5100 ESYB603712	60	37.375	12	58	34	11.625	257

Data subject to change without notice.



p.467

<http://www.exmweb.com>



p.471



p.518



p.524

1-800-363-2423



p.536



p.494

Fax : 450-979-4626



p.462



info@exmweb.com