

Large utility enclosures

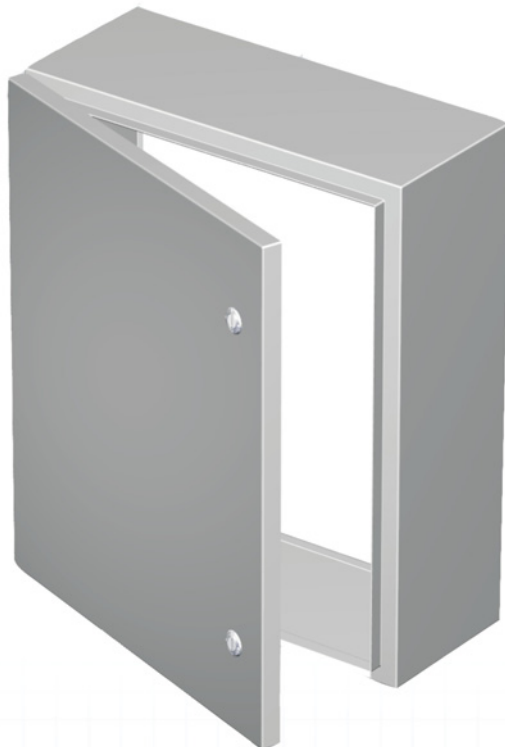
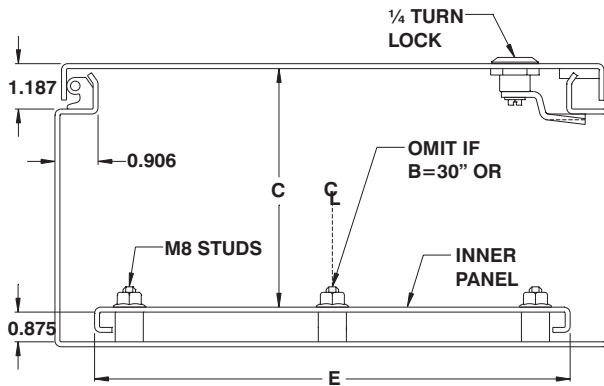
The 5100 ES are used where the control installation does not demand a high degree of protection (such as watertight or dust tight), but where a quality enclosure is warranted. The 5100 ES are made from quality 14 GA or 16 GA steel, with corner seams continuously welded. The opening has a curled lip around all sides to prevent dripping water from entering the enclosure when

the door is open, it also increases rigidity. The enclosure feature die cast hinges, which are bound to the cover by an exclusive one piece concealed hinge. the cover can be removed by unfastening the anti-vibration lock screws. A ¼ turn locking mechanism ensures positive closing. Internal mounting holes are provided. **Each enclosure comes complete with a 12 GA inner panel**

which is double bent* for maximum rigidity and which mounts on M8 welded studs.

Enclosures and panels are finished with heat fused polyester powder, electrostatically applied on a pretreated base. Box is ANSI/ASA 61 gray, panel is white (other colors available).

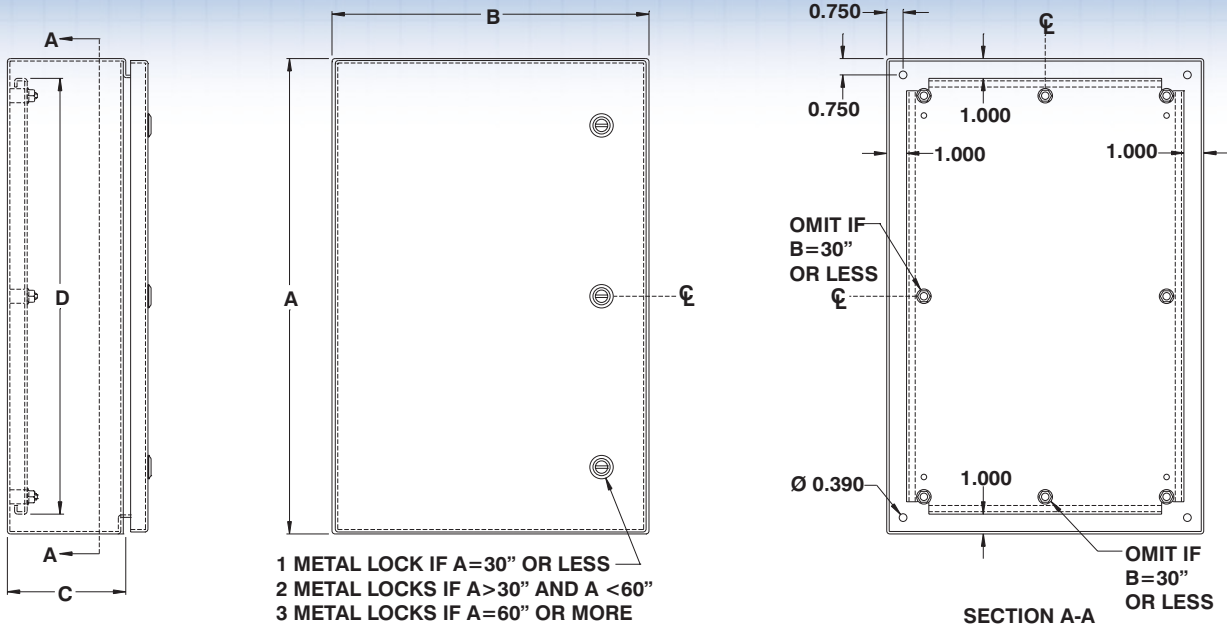
**CSA Certified / UL Listed
NEMA/EEMAC 1 / IP30**



CATALOG NUMBER	DIMENSIONS					SHIP WGHT LBS.
	A	B	C	D	E	
5100 ES121206	12	12	6	10	10	19
5100 ES122406	12	24	6	10	22	35
5100 ES161206	16	12	6	14	10	24
5100 ES161606	16	16	6	14	14	31
5100 ES162006	16	20	6	14	18	37
5100 ES201206	20	12	6	18	10	29
5100 ES201606	20	16	6	18	14	37
5100 ES202006	20	20	6	18	18	45
5100 ES202406	20	24	6	18	22	53
5100 ES241206	24	12	6	22	10	35
5100 ES241606	24	16	6	22	14	44
5100 ES242006	24	20	6	22	18	53
5100 ES242406	24	24	6	22	22	62
5100 ES301606	30	16	6	28	14	53
5100 ES302006	30	20	6	28	18	65
5100 ES302406	30	24	6	28	22	76
5100 ES362406	36	24	6	34	22	90
5100 ES363006	36	30	6	34	28	109
5100 ES122408	12	24	8	10	22	38
5100 ES161208	16	12	8	14	10	27
5100 ES161608	16	16	8	14	14	34
5100 ES162008	16	20	8	14	18	41
5100 ES201208	20	12	8	18	10	33
5100 ES201608	20	16	8	18	14	41
5100 ES202008	20	20	8	18	18	49
5100 ES202408	20	24	8	18	22	57
5100 ES241208	24	12	8	22	10	38
5100 ES241608	24	16	8	22	14	48
5100 ES242008	24	20	8	22	18	57
5100 ES242408	24	24	8	22	22	67
5100 ES243008	24	30	8	22	28	81
5100 ES301208	30	12	8	28	10	46
5100 ES301608	30	16	8	28	14	58
5100 ES302008	30	20	8	28	18	70
5100 ES302408	30	24	8	28	22	81
5100 ES303008	30	30	8	28	28	98
5100 ES303608	30	36	8	28	34	116
5100 ES362408	36	24	8	34	22	95
5100 ES363008	36	30	8	34	28	116
5100 ES363608	36	36	8	34	34	136
5100 ES422408	42	24	8	40	22	110
5100 ES423008	42	30	8	40	28	133
5100 ES423608	42	36	8	40	34	156
5100 ES482408	48	24	8	46	22	124
5100 ES483008	48	30	8	46	28	150
5100 ES483608	48	36	8	46	34	177
5100 ES603608	60	36	8	58	34	218

Data subject to change without notice.





CATALOG NUMBER	DIMENSIONS					SHIP WGHT LBS.
	A	B	C	D	E	
5100 ES161210	16	12	10	14	10	30
5100 ES201610	20	16	10	18	14	44
5100 ES202010	20	20	10	18	18	53
5100 ES241210	24	12	10	22	10	42
5100 ES242010	24	20	10	22	18	62
5100 ES242410	24	24	10	22	22	71
5100 ES302010	30	20	10	28	18	74
5100 ES302410	30	24	10	28	22	86
5100 ES362410	36	24	10	34	22	101
5100 ES363010	36	30	10	34	28	122
5100 ES423010	42	30	10	40	28	140
5100 ES423610	42	36	10	40	34	164
5100 ES483010	48	30	10	46	28	158
5100 ES483610	48	36	10	46	34	185
5100 ES603610	60	36	10	58	34	227
5100 ES201612	20	16	12	18	14	48
5100 ES202012	20	20	12	18	18	57
5100 ES202412	20	24	12	18	22	66
5100 ES242012	24	20	12	22	18	66
5100 ES242412	24	24	12	22	22	76
5100 ES302412	30	24	12	28	22	92
5100 ES303012	30	30	12	28	28	110
5100 ES362412	36	24	12	34	22	107
5100 ES363012	36	30	12	34	28	129
5100 ES363612	36	36	12	34	34	150
5100 ES422412	42	24	12	40	22	118

CATALOG NUMBER	DIMENSIONS					SHIP WGHT LBS.
	A	B	C	D	E	
5100 ES423012	42	30	12	40	28	147
5100 ES423612	42	36	12	40	34	172
5100 ES482412	48	24	12	46	22	138
5100 ES483612	48	36	12	46	34	193
5100 ES602412	60	24	12	58	22	169
5100 ES603612	60	36	12	58	34	236
5100 ES723012	72	30	12	70	28	240
5100 ES723612	72	36	12	70	34	279
5100 ES242016	24	20	16	22	18	74
5100 ES242416	24	24	16	22	22	86
5100 ES302416	30	24	16	28	22	102
5100 ES362416	36	24	16	34	22	119
5100 ES363016	36	30	16	34	28	142
5100 ES423616	42	36	16	40	34	187
5100 ES483616	48	36	16	46	34	210
5100 ES603616	60	36	16	58	34	255
5100 ES723016	72	30	16	70	28	260
5100 ES723616	72	36	16	70	34	301
5100 ES302420	30	24	20	28	22	113
5100 ES363020	36	30	20	34	28	155
5100 ES483620	48	36	20	46	34	226
5100 ES603620	60	36	20	58	34	274
5100 ES723020	72	30	20	70	28	280
5100 ES302424	30	24	24	28	22	123
5100 ES723024	72	30	24	70	28	300

* Only panels with sides 20" or more are double bent.

Data subject to change without notice.



p.466 p.463 p.484 p.467 p.530 p.536 p.494
<http://www.exmweb.com> 1-800-363-2423 Fax : 450-979-4626



info@exmweb.com