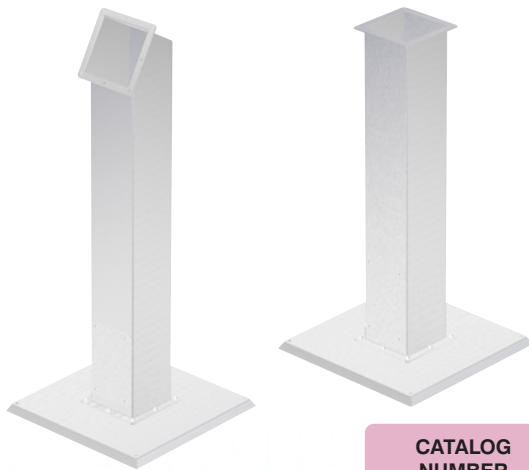
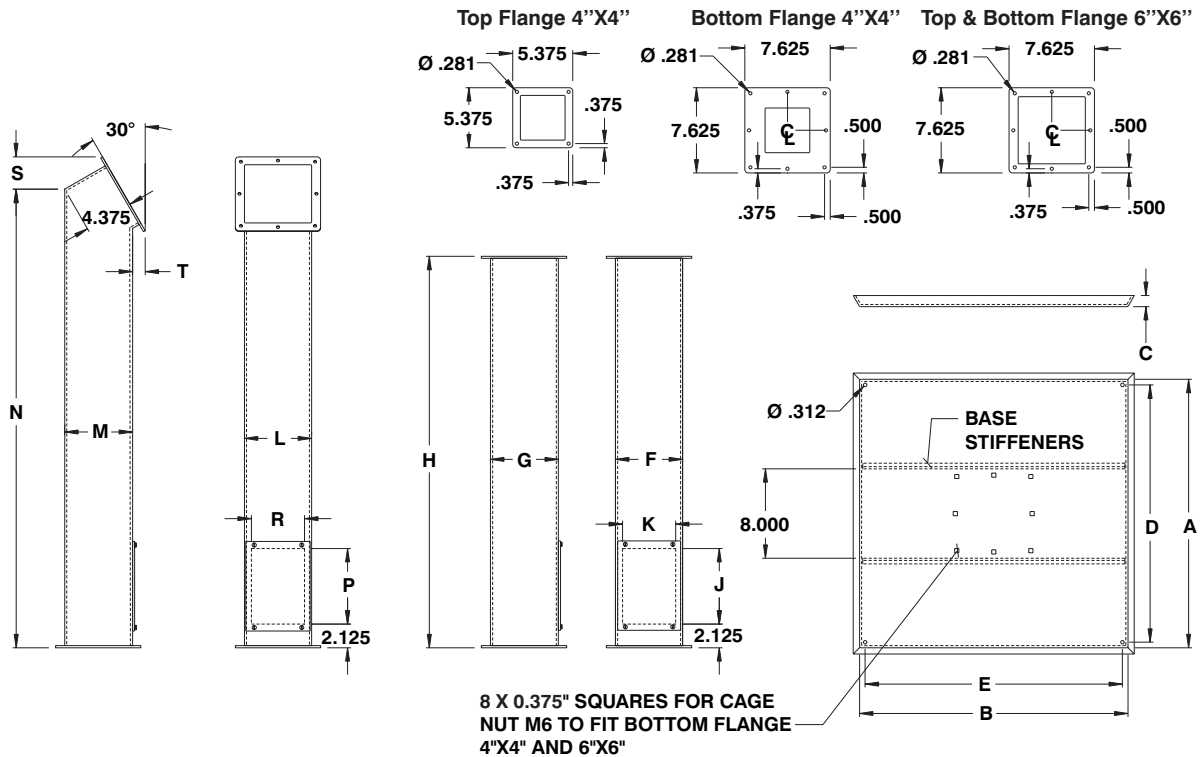


Stainless steel straight pedestals, angled pedestals & bases

The 1500 PESS straight pedestals, 1500 PEASS angled pedestals and 1500 BASS bases are used to floor mount 1500 CSS consoles or other types of enclosures. Wiring can be pulled through the base or the pedestal column (a cutout must be made on the con-

solet). The wire can also be pulled directly into the console. Inside flanges and sealing gaskets are provided. A high quality seamless poured gasket secures the access cover and the box connector. The pedestals are made from 14 GA (type 304) stainless steel and

the base from 11 GA (type 304) stainless steel with reinforcements. Leveling screws and holes to bolt the components to the floor are provided. Pedestals and bases unpainted and brushed smooth.



CATALOG NUMBER	DIMENSIONS					SHIP WGHT LBS.
	A	B	C	D	E	
1500 BASS181801	18	18	1.000	17.000	17.000	20
1500 BASS242401	24	24	1.000	22.500	22.500	47

CATALOG NUMBER	DIMENSIONS					SHIP WGHT LBS.
	F	G	H	J	K	
1500 PESS040435	4	4	35	6.000	2.750	18
1500 PESS060635	6	6	35	6.750	4.750	24

CATALOG NUMBER	DIMENSIONS							SHIP WGHT LBS.
	L	M	N	P	R	S	T	
1500 PEASS040441	4	4	41	6.000	2.750	2.750	2.062	20
1500 PEASS060641	6	6	41	6.750	4.750	2.875	1.125	27

‡ For painted stainless steel, add suffix 'P' to the catalog number (ie. 1500 PESS...P).

Data subject to change without notice.

