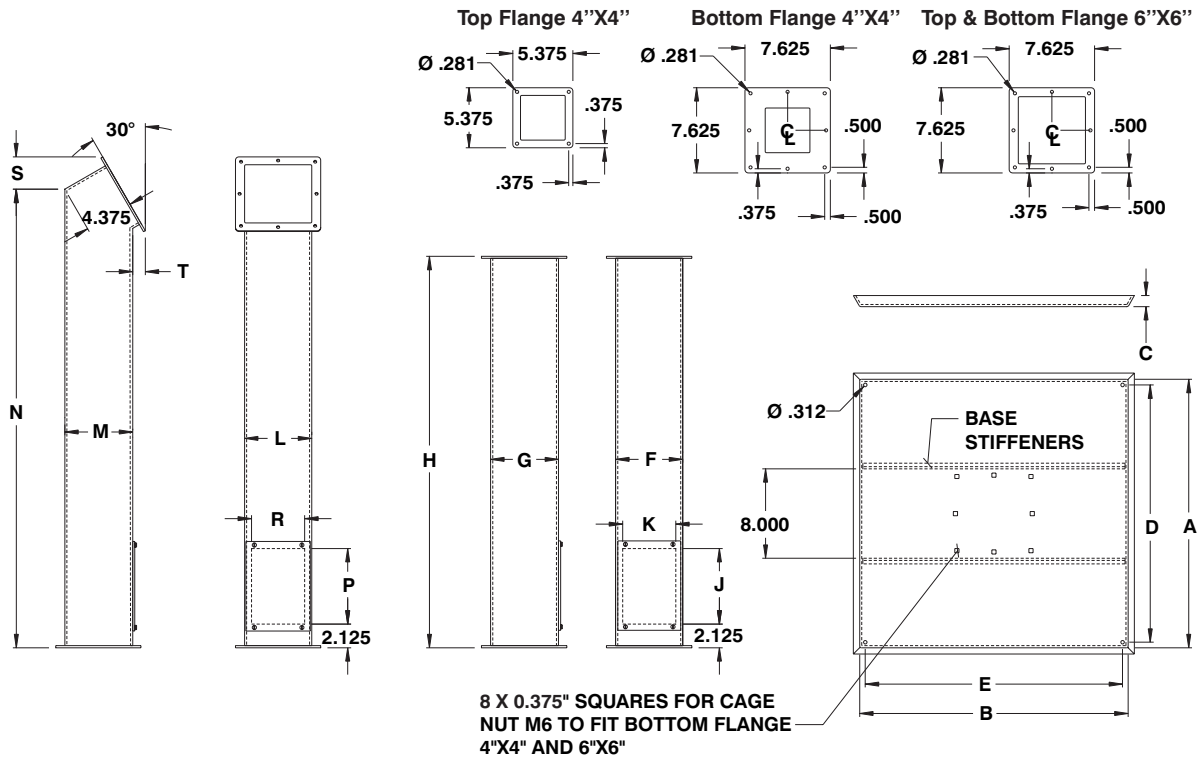


Oil & dust tight straight pedestals, angled pedestals & bases

The 1500 PE straight pedestals, 1500 PEA angled pedestals and 1500 BA bases are used to floor mount 1500 CS consoles or other types of enclosures. Wiring can be pulled through the base or the pedestal column (a cutout must be made on the console). The wire can also be directed directly

into the console. Inside flanges and sealing gaskets are provided. A high quality seamless poured gasket secures the access cover and the box connector. The pedestals are made from 14 GA steel and the base from 11 GA steel with reinforcements. Leveling screws and holes to bolt the

components to the floor are provided. Pedestals and bases are finished with heat fused polyester powder, electrostatically applied on a phosphatized base. Finish is ANSI/ASA 61 gray.



CATALOG NUMBER	DIMENSIONS					SHIP WGHT LBS.
	A	B	C	D	E	
1500 BA181801	18	18	1.000	17.000	17.000	20
1500 BA242401	24	24	1.000	22.500	22.500	47

CATALOG NUMBER	DIMENSIONS					SHIP WGHT LBS.
	F	G	H	J	K	
1500 PE040435	4	4	35	6.000	2.750	18
1500 PE060635	6	6	35	6.750	4.750	24
1500 PE040448	4	4	48	6.000	2.750	26
1500 PE060648	6	6	48	6.750	7.750	32

CATALOG NUMBER	DIMENSIONS								SHIP WGHT LBS.
	L	M	N	P	R	S	T		
1500 PEA040441	4	4	41	6.000	2.750	2.750	2.062	20	
1500 PEA060641	6	6	41	6.750	4.750	2.875	1.125	27	

Data subject to change without notice.

