

Oil and dust tight consolets - 55°

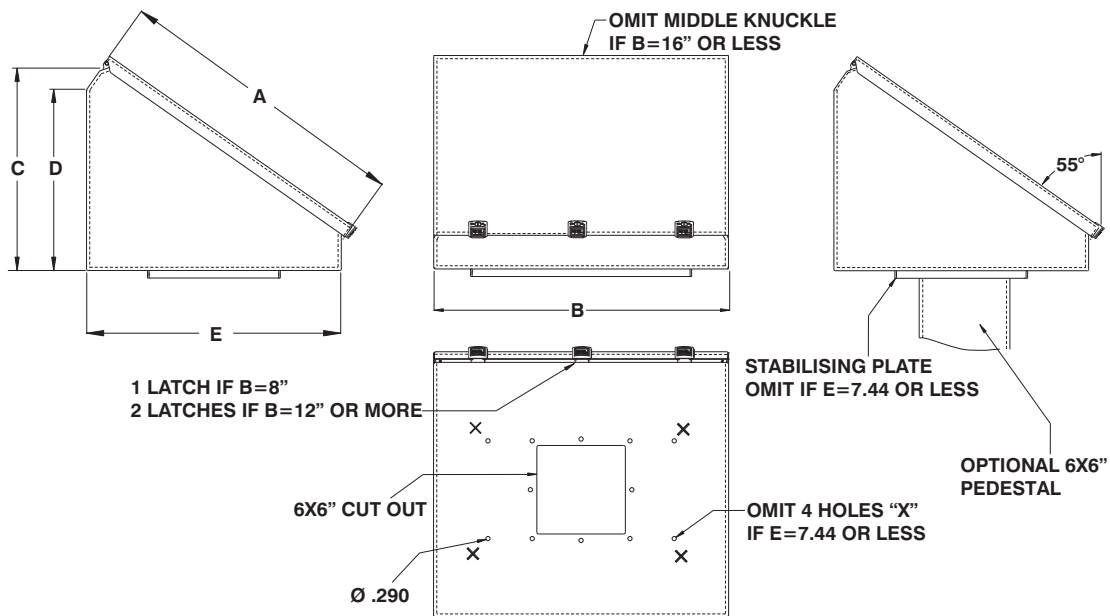
The 1500 CSE (55° control surface) oil and dust tight consolets with cable entry are used indoors to protect electrical equipment against dirt, dust, oil and water splashing. The 1500 CSE consolets are provided with mounting holes for the pedestals (1500 PE060635 or 1500 PEA060641, see page 416). On larger consolets a stabilising plate is provided to solidify the assembly of the pedestal. Consolets are made

from 16 GA steel with all seams continuously welded. The consolets feature die cast hinges, which are bound to the cover by an exclusive concealed hinge pin system. The covers are interchangeable and can be removed by unfastening the anti-vibration lock nuts. Covers are secured with EXM's exclusive flange-mounted ¼ turn locks which ensure positive closing. (Padlockable locks and key locks are available.) A high

quality seamless poured gasket is used to ensure the integrity of the enclosure. Pedestals and bases, if required, must be ordered separately.

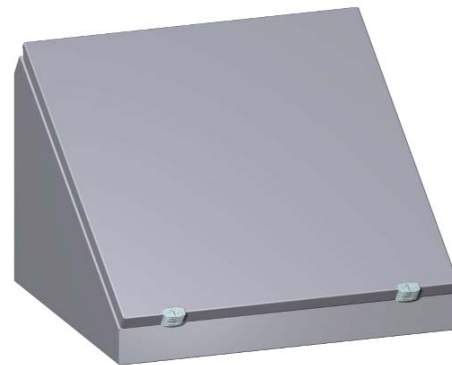
Consolets are finished with ANSI/ASA 61 gray heat fused polyester powder, electrostatically applied on a phosphatized base (other colors available).

CSA Certified / UL Listed
NEMA/EEMAC 12-13 / IP65
NEMA/EEMAC 4-12 / IP66 §



CATALOG NUMBER	DIMENSIONS					SHIP WGHT LBS.
	A	B	C	D	E	
§ 1500 CSE080807*	8	8	7.281	5.375	7.437	8
§ 1500 CSE081207*	8	12	7.281	5.375	7.437	10
§ 1500 CSE081607*	8	16	7.281	5.375	7.437	13
1500 CSE082007*	8	20	7.281	5.375	7.437	16
§ 1500 CSE121209	12	12	9.562	7.687	10.718	15
§ 1500 CSE121609	12	16	9.562	7.687	10.718	18
1500 CSE122009	12	20	9.562	7.687	10.718	22
1500 CSE122409	12	24	9.562	7.687	10.718	26
1500 CSE161611	16	16	11.875	9.968	14.000	22
1500 CSE162011	16	20	11.875	9.968	14.000	27
1500 CSE162411	16	24	11.875	9.968	14.000	32
1500 CSE163011	16	30	11.875	9.968	14.000	39
1500 CSE163611	16	36	11.875	9.968	14.000	45
1500 CSE202013	20	20	14.187	12.250	17.250	36
1500 CSE202413	20	24	14.187	12.250	17.250	42
1500 CSE203013	20	30	14.187	12.250	17.250	49

* Without stabilising plate



Data subject to change without notice.



p.439

p.480

p.524

p.536

<http://www.exmweb.com>

1-800-363-2423

Fax : 450-979-4626



info@exmweb.com