

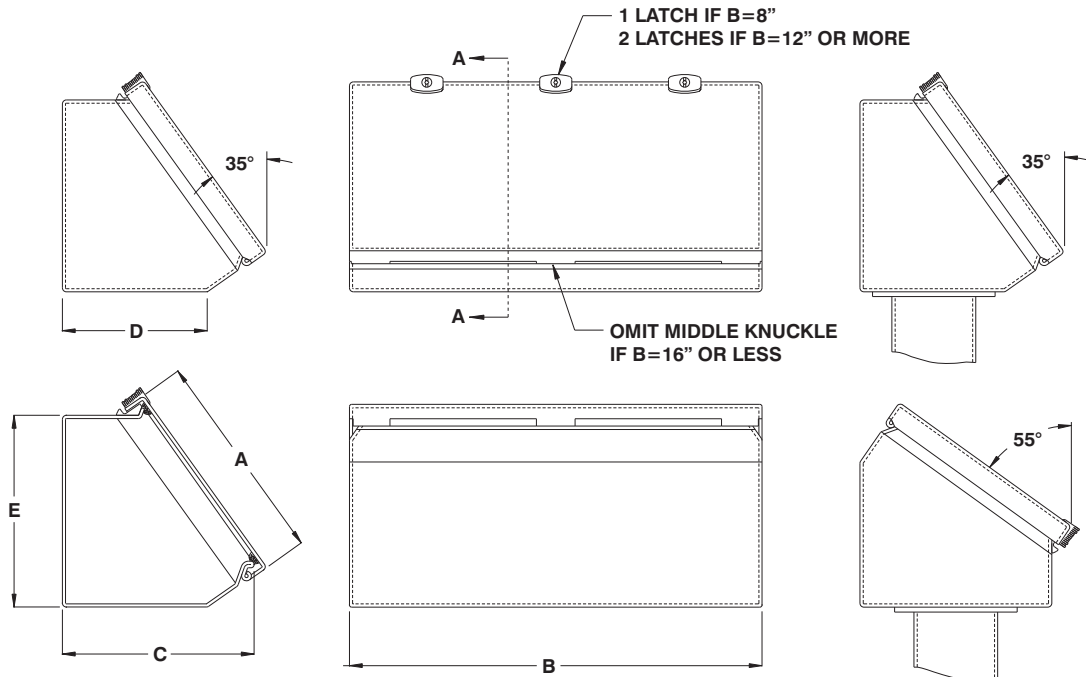
Oil and dust tight consolets

The 1500 CS oil and dust tight consolets are used indoors to protect electrical equipment against dirt, dust, oil and water splashing. The 1500 CS consolets can be mounted on pedestals (1500 PE, see page 416), desktops or machines with the choice of a control surface of 35° or 55°. Consolets are made from 16 GA steel with all

seams continuously welded. The cover has a continuous formed hinge. The door is secured by EXM's exclusive flange-mounted quarter-turn locks which ensure positive closing. (Note that padlockable locks and key locks are available.) A high quality seamless poured gasket is used to ensure the integrity of the enclosure.

Pedestals and base, if required, must be ordered separately. Consolets are finished with heat fused polyester powder, electrostatically applied on a phosphatized base. Box is ANSI/ASA 61 gray.

CSA Certified / UL Listed
NEMA/EEMAC 12-13 / IP65
NEMA/EEMAC 4-12 / IP66 §



| CATALOG NUMBER | DIMENSIONS | | | | | SHIP WGHT LBS. |
|-----------------|------------|----|--------|--------|--------|----------------|
| | A | B | C | D | E | |
| § 1500 CS080807 | 8 | 8 | 7.281 | 5.375 | 7.437 | 8 |
| § 1500 CS081207 | 8 | 12 | 7.281 | 5.375 | 7.437 | 10 |
| § 1500 CS081607 | 8 | 16 | 7.281 | 5.375 | 7.437 | 13 |
| 1500 CS082007 | 8 | 20 | 7.281 | 5.375 | 7.437 | 16 |
| § 1500 CS121209 | 12 | 12 | 9.562 | 7.687 | 10.718 | 15 |
| § 1500 CS121609 | 12 | 16 | 9.562 | 7.687 | 10.718 | 18 |
| 1500 CS122009 | 12 | 20 | 9.562 | 7.687 | 10.718 | 22 |
| 1500 CS122409 | 12 | 24 | 9.562 | 7.687 | 10.718 | 26 |
| 1500 CS161611 | 16 | 16 | 11.875 | 9.968 | 14.000 | 22 |
| 1500 CS162011 | 16 | 20 | 11.875 | 9.968 | 14.000 | 27 |
| 1500 CS162411 | 16 | 24 | 11.875 | 9.968 | 14.000 | 32 |
| 1500 CS163011 | 16 | 30 | 11.875 | 9.968 | 14.000 | 39 |
| 1500 CS163611 | 16 | 36 | 11.875 | 9.968 | 14.000 | 45 |
| 1500 CS202013 | 20 | 20 | 14.187 | 12.250 | 17.250 | 36 |
| 1500 CS202413 | 20 | 24 | 14.187 | 12.250 | 17.250 | 42 |
| 1500 CS203013 | 20 | 30 | 14.187 | 12.250 | 17.250 | 49 |

Data subject to change without notice.

