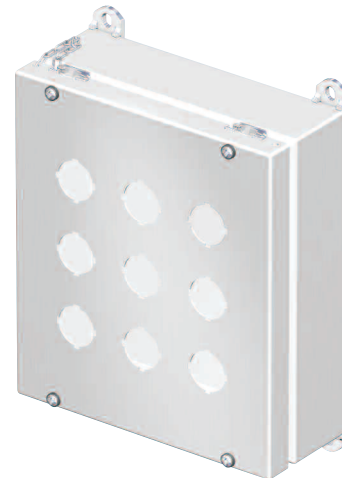
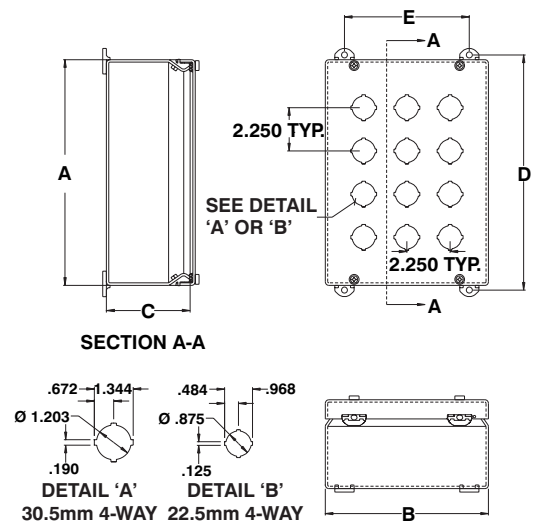
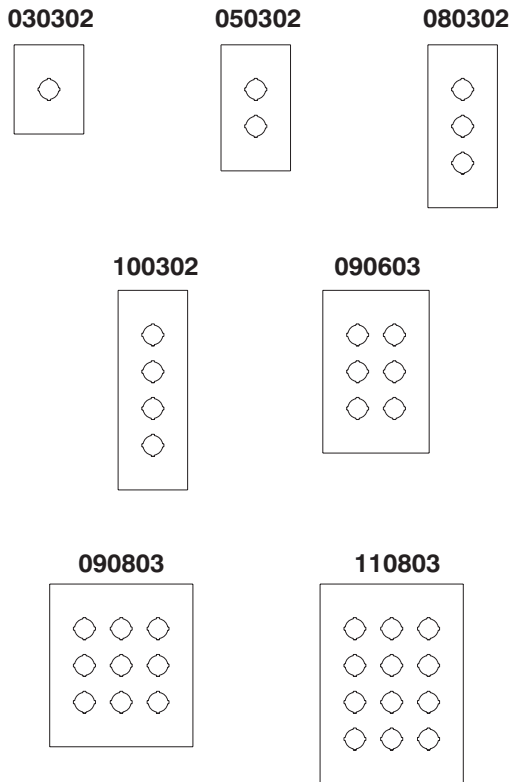


## Standard stainless steel pushbutton enclosure

The 1400 SDSS oil and dust tight pushbutton enclosures are built to provide protection against corrosion, dirt, dust and oil, for all brands of oil tight pushbuttons, switches and pilot lights. The 1400 SDSS are made from quality 16 GA (type 304) stainless steel, with all seams continuously welded. A high quality seamless poured gasket ensures a com-

plete and durable seal of the enclosure. Cover screws thread into sealed wells and are captive. The enclosure can be internally mounted or externally mounted using the included die cast wall mounting feet. These feet have oblong holes to facilitate installation. Hole plugs (880 HP series) are available to seal unused holes. The 1400 SDSS is available with

standard and miniature pushbutton holes. The enclosures' exterior are unpainted and brushed smooth. The enclosures' interior is finished with white heat fused polyester powder, electrostatically applied on a phosphatized base. **CSA Certified / UL Listed NEMA/EEMAC 4X / IP66**



CATALOG NUMBER	QTY. HOLES	DIMENSIONS					SHIP WGHT LBS.
		A	B	C	D	E	
1400 SDSS030302	1	4.000	3.500	3.000	4.500	2.375	1
1400 SDSS050302	2	6.250	3.500	3.000	6.750	2.375	2
1400 SDSS080302	3	8.500	3.500	3.000	9.000	2.375	3
1400 SDSS100302	4	10.750	3.500	3.000	11.250	2.375	4
1400 SDSS090603	6	10.000	6.500	3.000	10.500	5.375	5
1400 SDSS090803	9	10.000	8.750	3.000	10.500	7.625	7
1400 SDSS110803	12	12.250	8.750	3.000	12.750	7.625	8

**Notes :**

- For stainless steel Type 316, add suffix '6' to the catalog number (i.e. 1400 SDSS0303026)
- Enclosures are also available with 22.5mm pushbutton holes, add suffix 'MN' to the catalog number (i.e. 1400 SD030302MN).
- For painted stainless steel, add suffix 'P' to the catalog number (i.e. 1400 SDSS...P).



p.470

p.470

<http://www.exmweb.com>

1-800-363-2423

Fax : 450-979-4626



[info@exmweb.com](mailto:info@exmweb.com)

Data subject to change without notice.