

Splitter Boxes & Troughs EEMAC/NEMA 4x

The 1400 BSSP & TSSP powder coated stainless steel splitter boxes and troughs are designed for 600 V (max.) service, 3 or 4 wires, in ordinary locations.

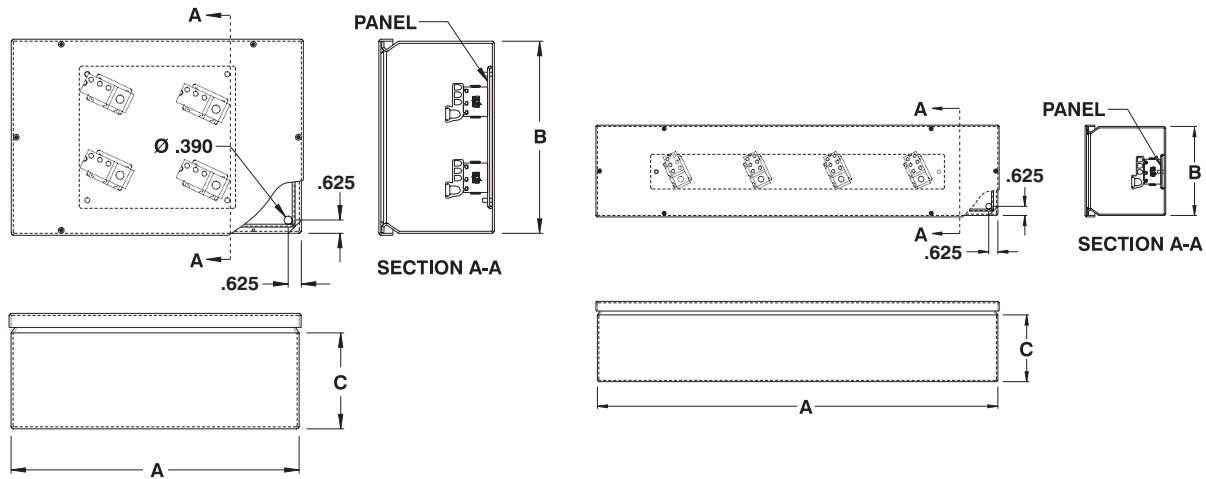
There is a curled lip around all sides to prevent water from entering when the enclosure is open.

This also increases rigidity. They are made from 14 GA or 16 GA stainless steel. They have four mounting holes and a screw cover. There are no knockouts.

The phenolic insulated splitter blocks are factory installed on an interior panel mounted on welded

studs. Optional mounting feet are available (885 CHSSMF). The enclosure's exterior is powder coated ANSI/ASA 61 gray. The panel is powder coated white (other colors available).

CSA Certified
NEMA/EEMAC 4X / IP66



CATALOG NUMBER		MAX AMP. CU-AL	MAIN LUGS		BRANCH LUGS		DIMENSIONS			SHIP WGHT LBS.
3 WIRES	4 WIRES		QTY	WIRES	QTY	WIRES	A	B	C	
1400 BSSP73	1400 BSSP74	70	1	2-14	3	2-14	10	10	5	8
1400 BSSP103	1400 BSSP104	125	1	2/0-14	3	2/0-14	12	12	5	11
1400 BSSP203	1400 BSSP204	225	1	300MCM-6	3	2/0-14	18	12	6	16
1400 BSSP403	1400 BSSP404	400	1	600MCM-4	3	600MCM-4	22	20	8	34
1400 BSSP603	1400 BSSP604	600	2	600MCM-4	2	600MCM-4	26	25	8	49

CATALOG NUMBER		MAX AMP. CU-AL	MAIN LUGS		BRANCH LUGS		DIMENSIONS			SHIP WGHT LBS.
3 WIRES	4 WIRES		QTY	WIRES	QTY	WIRES	A	B	C	
1400 TSSP273	1400 TSSP274	70	1	2-14	6	2-14	24	6	5	12
1400 TSSP373	1400 TSSP374	70	1	2-14	6	2-14	36	6	5	15
1400 TSSP473	1400 TSSP474	70	1	2-14	6	2-14	48	6	5	20
1400 TSSP2103	1400 TSSP2104	125	1	1/0-14	6	2-14	24	6	5	12
1400 TSSP3103	1400 TSSP3104	125	1	1/0-14	6	2-14	36	6	5	15
1400 TSSP4103	1400 TSSP4104	125	1	1/0-14	6	2-14	48	6	5	20
1400 TSSP5103	1400 TSSP5104	125	1	1/0-14	6	2-14	60	6	5	24
1400 TSSP6103	1400 TSSP6104	125	1	1/0-14	6	2-14	72	6	5	28
1400 TSSP2203	-----	225	1	300MCM-6	6	2/0-14	24	8	6	19
1400 TSSP3203	1400 TSSP3204	225	1	300MCM-6	6	2/0-14	36	8	6	26
1400 TSSP4203	1400 TSSP4204	225	1	300MCM-6	6	2/0-14	48	8	6	32
1400 TSSP5203	1400 TSSP5204	225	1	300MCM-6	6	2/0-14	60	8	6	40
1400 TSSP6203	1400 TSSP6204	225	1	300MCM-6	6	2/0-14	72	8	6	46
1400 TSSP3403	-----	400	2	250MCM-1/0*	6	4/0-14	36	11	8	34
1400 TSSP4403	1400 TSSP4404	400	2	250MCM-1/0*	6	4/0-14	48	11	8	42
1400 TSSP5403	1400 TSSP5404	400	2	250MCM-1/0*	6	4/0-14	60	11	8	50
1400 TSSP6403	1400 TSSP6404	400	2	250MCM-1/0*	6	4/0-14	72	11	8	59
1400 TSSP4603	1400 TSSP4604	600	4	250MCM-1/0†	6	4/0-14	48	11	8	42
1400 TSSP5603	1400 TSSP5604	600	4	250MCM-1/0†	6	4/0-14	60	11	8	50
1400 TSSP6603	1400 TSSP6604	600	4	250MCM-1/0†	6	4/0-14	72	11	8	59

* OR 1 x 600MCM-4

† OR 2 x 600MCM-4

For 4 wire systems, add 1 lb to weight.

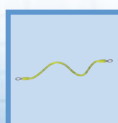
Data subject to change without notice.



p.462



p.478



p.479



p.452



p.472



p.238