

Splitter Boxes & Troughs EEMAC/NEMA 3R/4/12

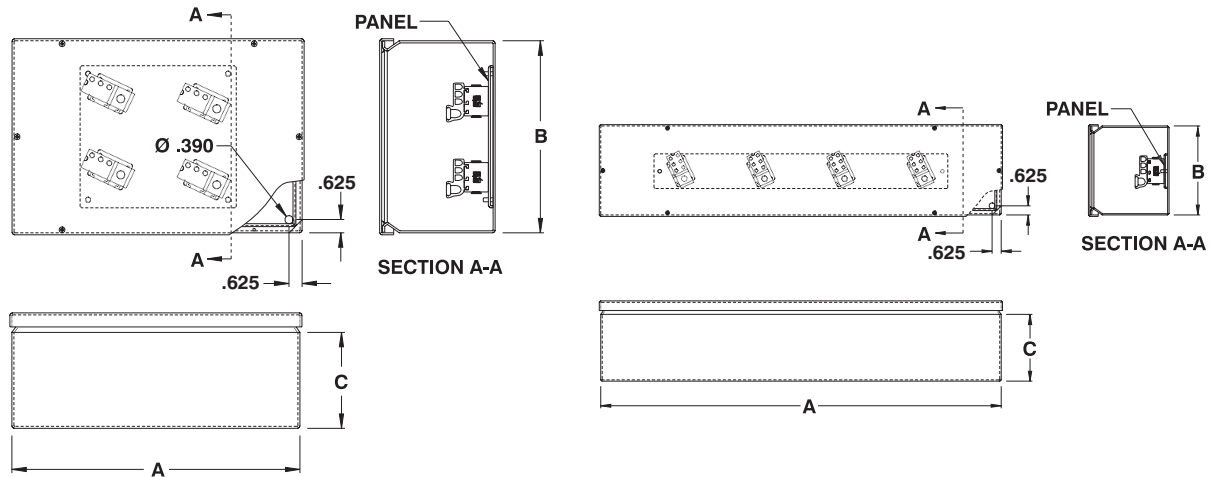
The 1400 B & T splitter boxes and troughs are designed for 600 V (max.) service, 3 or 4 wires, in ordinary locations. There is a curled lip around all sides to prevent water from entering when the enclosure is open. This also increases rigidity. They are made from 14 GA or 16 GA steel. They have four mounting

holes and a screw cover. There are no knockouts. The phenolic insulated splitter blocks are factory installed on an interior panel mounted on welded studs. Optional mounting feet are available (885 CHMF). Enclosures are finished with heat fused powder paint, electrostatically applied on a

pretreated base. Box is ANSI/ASA 61 gray, panel is white (other colors available).

C.S.A. Certified
NEMA/EEMAC 3R-4-12 / IP66

Refer to p.727 to validate choice of substrate for the application



CATALOG NUMBER		MAX AMP. CU-AL	MAIN LUGS		BRANCH LUGS		DIMENSIONS			SHIP WGHT LBS.
3 WIRES	4 WIRES		QTY	WIRES	QTY	WIRES	A	B	C	
1400 B73	1400 B74	70	1	2-14	3	2-14	10	10	5	8
1400 B103	1400 B104	125	1	2/0-14	3	2/0-14	12	12	5	11
1400 B203	1400 B204	225	1	300MCM-6	3	2/0-14	18	12	6	16
1400 B403	1400 B404	400	1	600MCM-4	3	600MCM-4	22	20	8	34
1400 B603	1400 B604	600	2	600MCM-4	2	600MCM-4	26	25	8	49

CATALOG NUMBER		MAX AMP. CU-AL	MAIN LUGS		BRANCH LUGS		DIMENSIONS			SHIP WGHT LBS.
3 WIRES	4 WIRES		QTY	WIRES	QTY	WIRES	A	B	C	
1400 T273	1400 T274	70	1	2-14	6	2-14	24	6	5	12
1400 T373	1400 T374	70	1	2-14	6	2-14	36	6	5	15
1400 T473	1400 T474	70	1	2-14	6	2-14	48	6	5	20
1400 T2103	1400 T2104	125	1	1/0-14	6	2-14	24	6	5	12
1400 T3103	1400 T3104	125	1	1/0-14	6	2-14	36	6	5	15
1400 T4103	1400 T4104	125	1	1/0-14	6	2-14	48	6	5	20
1400 T5103	1400 T5104	125	1	1/0-14	6	2-14	60	6	5	24
1400 T6103	1400 T6104	125	1	1/0-14	6	2-14	72	6	5	28
1400 T2203	-----	225	1	300MCM-6	6	2/0-14	24	8	6	19
1400 T3203	1400 T3204	225	1	300MCM-6	6	2/0-14	36	8	6	26
1400 T4203	1400 T4204	225	1	300MCM-6	6	2/0-14	48	8	6	32
1400 T5203	1400 T5204	225	1	300MCM-6	6	2/0-14	60	8	6	40
1400 T6203	1400 T6204	225	1	300MCM-6	6	2/0-14	72	8	6	46
1400 T3403	-----	400	2	250MCM-1/0*	6	4/0-14	36	11	8	34
1400 T4403	1400 T4404	400	2	250MCM-1/0*	6	4/0-14	48	11	8	42
1400 T5403	1400 T5404	400	2	250MCM-1/0*	6	4/0-14	60	11	8	50
1400 T6403	1400 T6404	400	2	250MCM-1/0*	6	4/0-14	72	11	8	59
1400 T4603	1400 T4604	600	4	250MCM-1/0†	6	4/0-14	48	11	8	42
1400 T5603	1400 T5604	600	4	250MCM-1/0†	6	4/0-14	60	11	8	50
1400 T6603	1400 T6604	600	4	250MCM-1/0†	6	4/0-14	72	11	8	59

* OR 1 x 600MCM-4 † OR 2 x 600MCM-4 For 4 wire systems, add 1 lb to weight.



Data subject to change without notice.



p.478 p.479 p.459 p.472 p.238 p.462
<http://www.exmweb.com> 1-800-363-2423 Fax : 450-979-4626

