

Modular construction enclosures

The 1100 CM are used where the control installation does not demand a high degree of protection (such as watertight or dust tight), but where a quality enclosure is warranted. Boxes and covers are made of quality code gauge steel. The box consists of three parts : base, center and cover, which are assembled with self-tapping screws. **The base is offset to permit direct mounting of instru-**

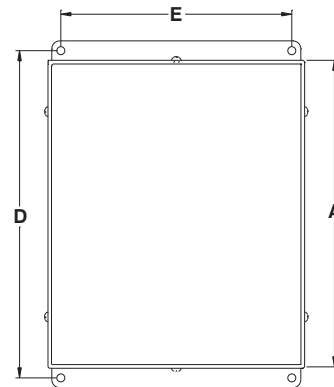
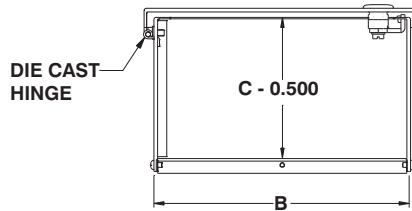
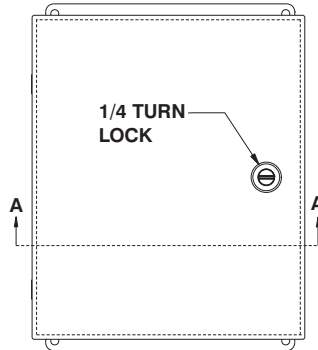
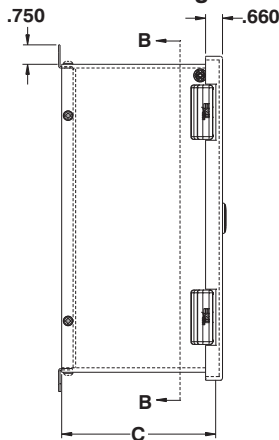
ments. The enclosures feature die cast hinges, which are bound to the cover by an exclusive concealed hinge pin system. The covers are interchangeable and can be removed by unfastening the anti-vibration lock nuts.

Enclosures are closed with a ¼ turn lock that ensures tight positive door to box contact and can be interchanged with an optional key lock (880 SCQCOM-K). Four external

mounting holes are provided. Enclosures are finished with ANSI/ASA 61 gray heat fused powder paint, electrostatically applied on a pretreated base. (other colors available).

**CSA Certified / UL Listed
NEMA/EEMAC 1 / IP30**

Refer to p.727 to validate choice of substrate for the application



SECTION B-B

SECTION A-A



CATALOG NUMBER	DIMENSIONS					SHIP WGHT LBS.
	A	B	C	D	E	
1100 CM060604	6	6	4	6.75	5.00	4
1100 CM080604	8	6	4	8.75	5.00	5
1100 CM080804	8	8	4	8.75	7.00	6
1100 CM100804	10	8	4	10.75	7.00	7
1100 CM101004	10	10	4	10.75	9.00	8
1100 CM121004	12	10	4	12.75	9.00	10
1100 CM121204	12	12	4	12.75	11.00	11
1100 CM161204	16	12	4	16.75	11.00	14
1100 CM201604	20	16	4	20.75	15.00	20
1100 CM242004	24	20	4	24.75	19.00	28
1100 CM080606	8	6	6	8.75	5.00	6
1100 CM100806	10	8	6	10.75	7.00	8
1100 CM121006	12	10	6	12.75	9.00	11
1100 CM121206	12	12	6	12.75	11.00	13
1100 CM161206	16	12	6	16.75	11.00	16
1100 CM201606	20	16	6	20.75	15.00	23
1100 CM242006	24	20	6	24.75	19.00	31
1100 CM080608	8	6	8	8.75	5.00	7
1100 CM100808	10	8	8	10.75	7.00	10
1100 CM121008	12	10	8	12.75	9.00	13
1100 CM161208	16	12	8	16.75	11.00	17
1100 CM201608	20	16	8	20.75	15.00	25
1100 CM242008	24	20	8	24.75	19.00	34

Data subject to change without notice.

