

Large utility enclosures

The 1100 CIP are used where the control installation does not demand a high degree of protection (such as watertight or dust tight), but where a quality enclosure is warranted. Boxes and covers are made from quality 14 GA steel. The opening has a curled lip around all sides to prevent dripping water from entering the enclosure when the door is open, it also increases rigidity. The captive pins of the concealed hinges can be pulled to

remove the door. Enclosures are closed with a 1/4 turn lock that ensures tight positive closing against cushions. Four internal mounting holes are provided. Optional external mounting is available (885 ESMF).

Optional inner panels are available (881SP, 882SP or 881SP..P) which are mounted on M8 welded studs. Inner panels need to be ordered separately.

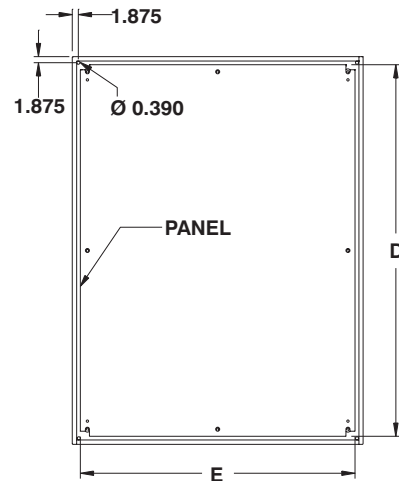
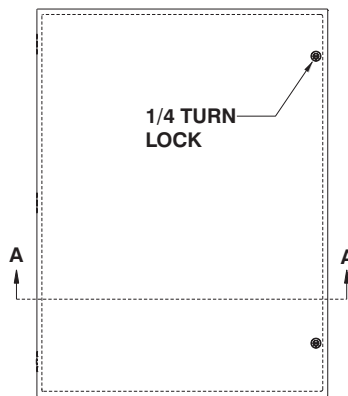
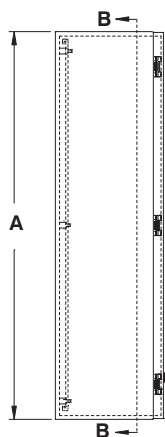
Enclosures and panels are finished

with heat fused powder paint, electrostatically applied on a pretreated base.

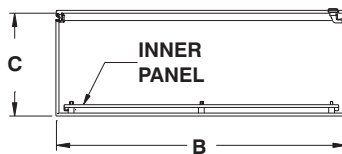
The box is ANSI/ASA 61 textured gray, the panel is white (other colors available).

**CSA Certified / UL Listed
NEMA/EEMAC 1 / IP30**

Refer to p.727 to validate choice of substrate for the application



SECTION B-B



SECTION A-A



CATALOG NUMBER	DIMENSIONS					SHIP WGHT LBS.
	A	B	C	D	E	
1100 CIP423008	42	30	8	40	28	104
1100 CIP423608	42	36	8	40	34	121
1100 CIP483608	48	36	8	46	34	137
1100 CIP423010	42	30	10	40	28	110
1100 CIP423610	42	36	10	40	34	128
1100 CIP483610	48	36	10	46	34	144
1100 CIP423012	42	30	12	40	28	116
1100 CIP423612	42	36	12	40	34	135
1100 CIP483612	48	36	12	46	34	151
1100 CIP423016	42	30	16	40	28	128
1100 CIP423616	42	36	16	40	34	148
1100 CIP483616	48	36	16	46	34	165

Data subject to change without notice.

Note : inner panel is optional

