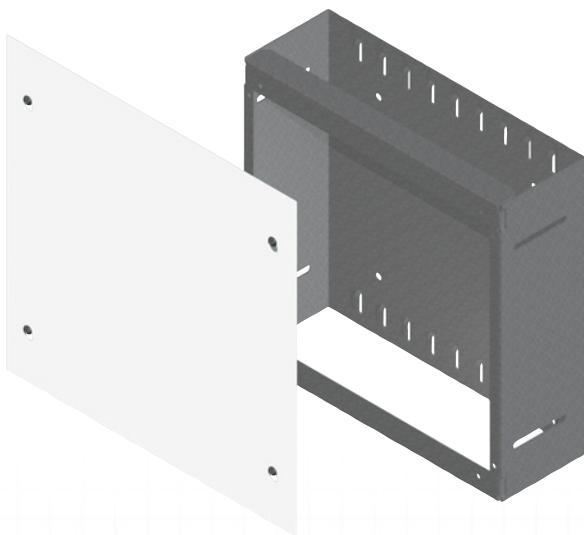
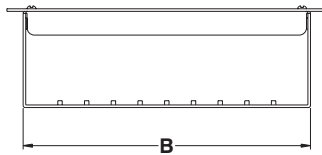
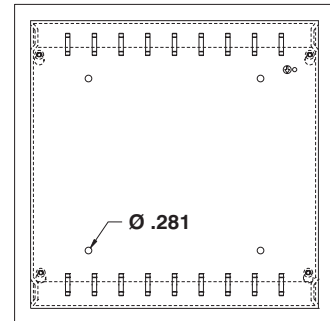
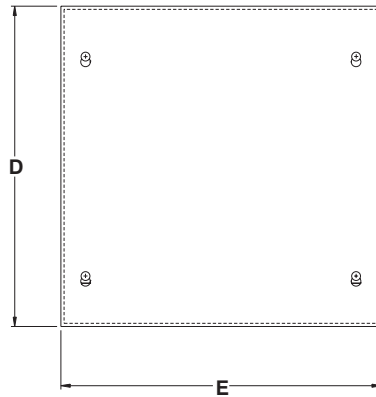
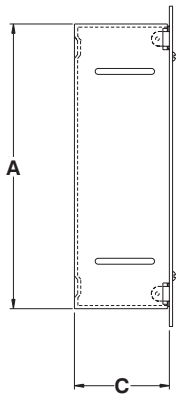


Communications Box

The 1100 CB are specifically designed as a condominium, apartments or other buildings communications wiring box. They can be used to wire, house automation, networking, security, telephony or television antenna,

cable or satellite installations. The boxes are made of 18 GA galvanized steel and have two cross stiffeners for greater rigidity. Four internal mounting holes are provided. Other types of optional covers are available (see pages

160-161) Boxes are unpainted galvanized, covers are finished with white heat fused polyester powder, electrostatically applied on a pretreated base.

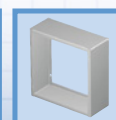


CATALOG NUMBER	DIMENSIONS					SHIP WGHT LBS.
	A	B	C	D	E	
1100 CB121204	12	12	4	13	13	6

Data subject to change without notice.



p.212



p.210



p.462